

Fire Protection Water Storage Cistern

Single Family - Precast Concrete

FLXX®

FLXX®

Standard:

Cistern assemblies include tank, lid, a 2' riser & cistern filler lid, (2) 1" stainless steel female thread inserts in tank 14" apart, 2'-8" from bottom outside of tank and butyl rubber sealant.

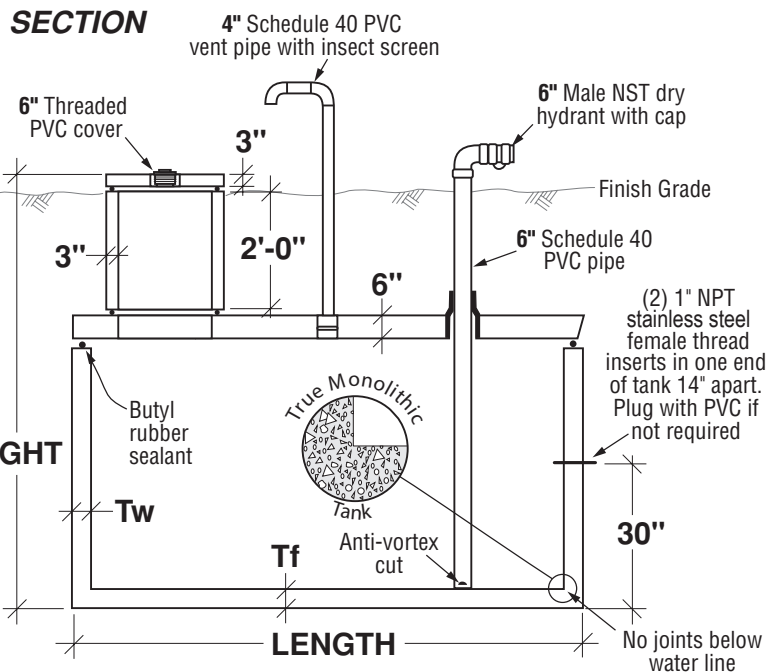
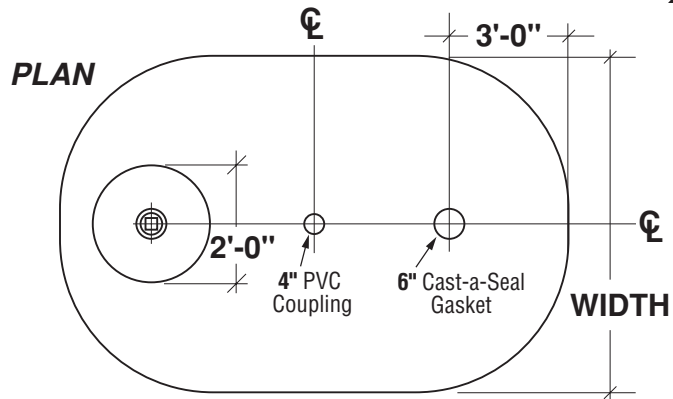
Installation Instructions:

Excavations should be 12" larger than dimensions. Floor of the excavation should be level with no protruding rocks, and a minimum of 6" of sand or 3/4" rock bed, leveled and compacted to set tank on. Excavator should provide a safe and clear offloading site within 15' from the rear of the truck to the center of the tank. Selected (6" minus) granular backfill should be rolled in from the side in equal lifts around the tank and compacted. Avoid dumping directly on the lid of the tank.

Note:

Installer should check local requirements which provide information on adapter hook up, tank placement, line locations and connections etc. A permit may be necessary for this work.

Do **NOT** drive on the tank.



	WIDTH	LENGTH	HEIGHT	TW	TF	WEIGHT	PART #
1200 Gallon	5'-6"	8'-6"	8'-1"	3.5"	4"	10,470 lbs	PCA-000-311
1500 Gallon	5'-6"	10'-6"	8'-1"	3.5"	4"	12,730 lbs	PCA-000-310
1800 Gallon	6'-8"	10'-2"	8'-1"	4"	4"	14,440 lbs	PCA-000-278
2400 Gallon	6'-8"	12'-8"	8'-1"	4"	4"	17,760 lbs	PCA-000-279
2800 Gallon	6'-4"	13'-10"	8'-5"	3.5"	4"	18,215 lbs	PCA-000-352

Note: N.T.S.

Revised July 2016

FLXX® 
Watertight
Front Range Precast Concrete, Inc.
 5901 Dexter Street, Unit 200, Commerce City, CO 80022
 Phone (303) 442-3207 • (800) 783-3207 • Fax (303) 442-3209
www.flxx.com