

# Water Cistern

## Domestic Potable Water

FLXX®

FLXX®

**Standard:**

Cistern assemblies include tank, lid, a 2' riser & cistern filler lid, (2) 1" stainless steel female thread inserts in tank 14" apart, 2'-6" from bottom outside of tank and butyl rubber sealant

**Installation Instructions:**

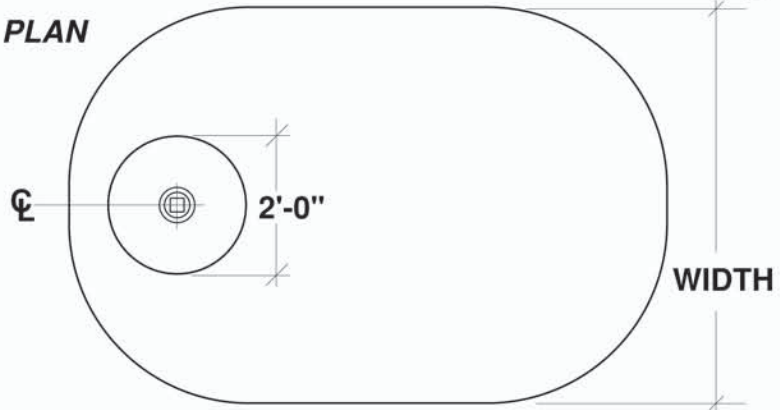
Excavations should be 12" larger than dimensions. Floor of the excavation should be level with no protruding rocks, and a minimum of 6" of sand or 3/4" rock bed, leveled and compacted to set tank on. Excavator should provide a safe and clear offloading site within 15' from the rear of the truck to the center of the tank. Selected (6" minus) granular backfill should be rolled in from the side in equal lifts around the tank and compacted. Avoid dumping directly on the lid of the tank.

**Note:**

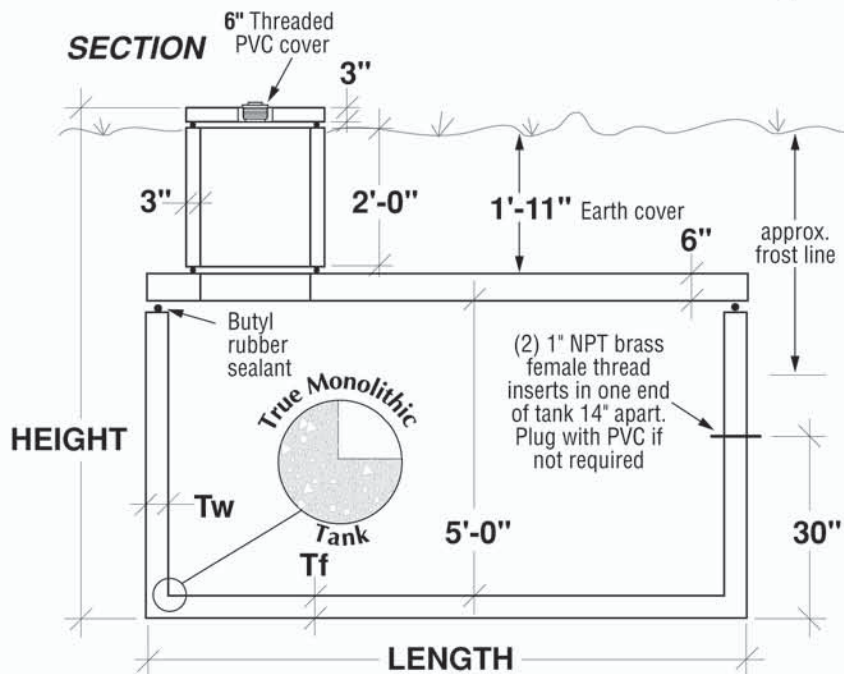
Installer should check local requirements which provide information on adapter hook up, tank placement, line locations and connections etc. A permit may be necessary for this work.

Do **NOT** drive on the tank.

PLAN



SECTION



	WIDTH	LENGTH	HEIGHT	TW	TF	WEIGHT	PART #
1200 Gallon	5'-6"	8'-6"	8'-1"	3.5"	4"	10,485 lbs	PCA-000-259
1500 Gallon	5'-6"	10'-6"	8'-1"	3.5"	4"	12,745 lbs	PCA-000-309
1800 Gallon	6'-8"	10'-2"	8'-1"	4"	4"	14,455 lbs	PCA-000-260
2400 Gallon	6'-8"	12'-8"	8'-1"	4"	4"	17,775 lbs	PCA-000-261
2800 Gallon	6'-4"	13'-10"	8'-5"	3.5"	4"	18,230 lbs	PCA-000-351

Note: N.T.S.

**FLXX®**   
**Watertight**  
**Front Range Precast Concrete, Inc.**  
 5439 N. Foothills Highway, Boulder, Colorado 80302  
 Phone (303) 442-3207 • (800) 783-3207 • Fax (303) 442-3209  
[www.flxx.com](http://www.flxx.com)