

1250 Gal. Three Compartment Electric Lift Septic Tank

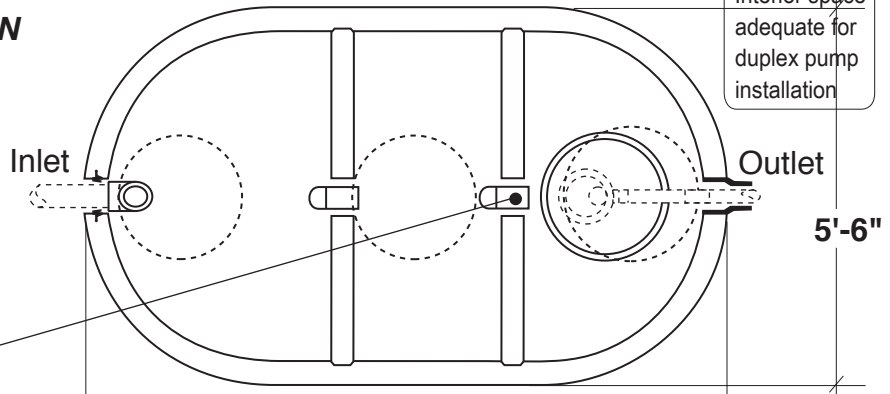
FLXX®

FLXX®

Total Capacity: 1390 gallons

- Monolithic tank meets ASTM-C-1227 Spec. for water and wastewater structures.
- Butyl rubber sealant meets Fed. Spec. SS-S-210A. (Provided with tank)
- All plumbing shown in diagram is 4" SDR 35. (Provided with tank)

PLAN



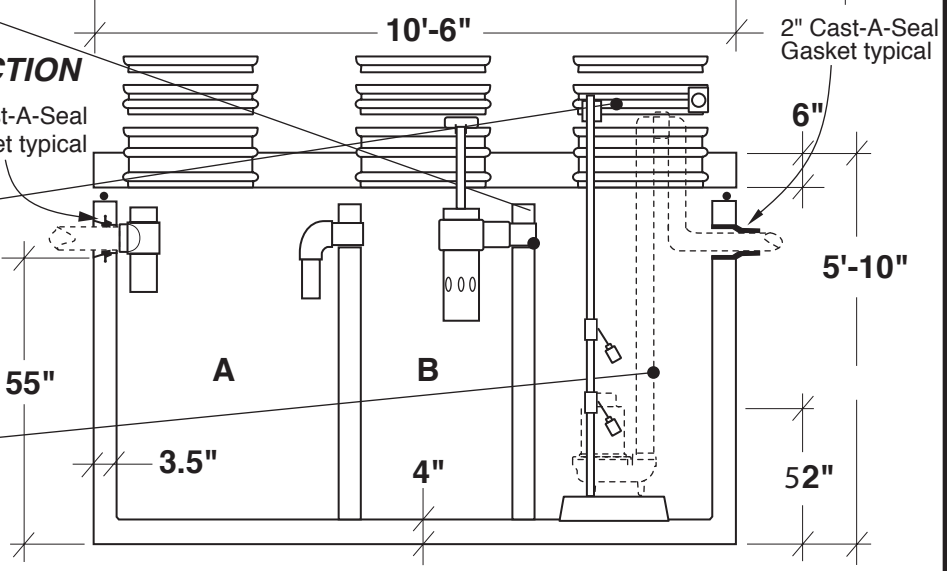
Sealed baffle wall. Install effluent filter at this location.

SECTION

4" Cast-A-Seal Gasket typical

2' x 1' Modified riser w/ J-box float tree bracket

Effluent pump (sized per specification) / remote alarm box, float tree, control and alarm switches installed and pump plumbed to stub-out including preassembled pipes and fittings. Connections to electrical source by others.



Part #	Capacities (gallons)		Lift Station Chamber (gallons)	Discharge Per Cycle	Approximate Weights			
	A	B			Tank	Lid	Baffle Walls	Total
PCA-000-267	640	420	330	Variable 6.6 Gal. / Vertical Inch	8,430 lbs	3,370 lbs	1,820 lbs	13,620 lbs

Note: N.T.S.

FLXX® 
Watertight
Front Range Precast Concrete, Inc.
 5901 Dexter Street, Unit 200, Commerce City, CO 80022
 Phone (303) 442-3207 • (800) 783-3207 • Fax (303) 442-3209
www.flxx.com