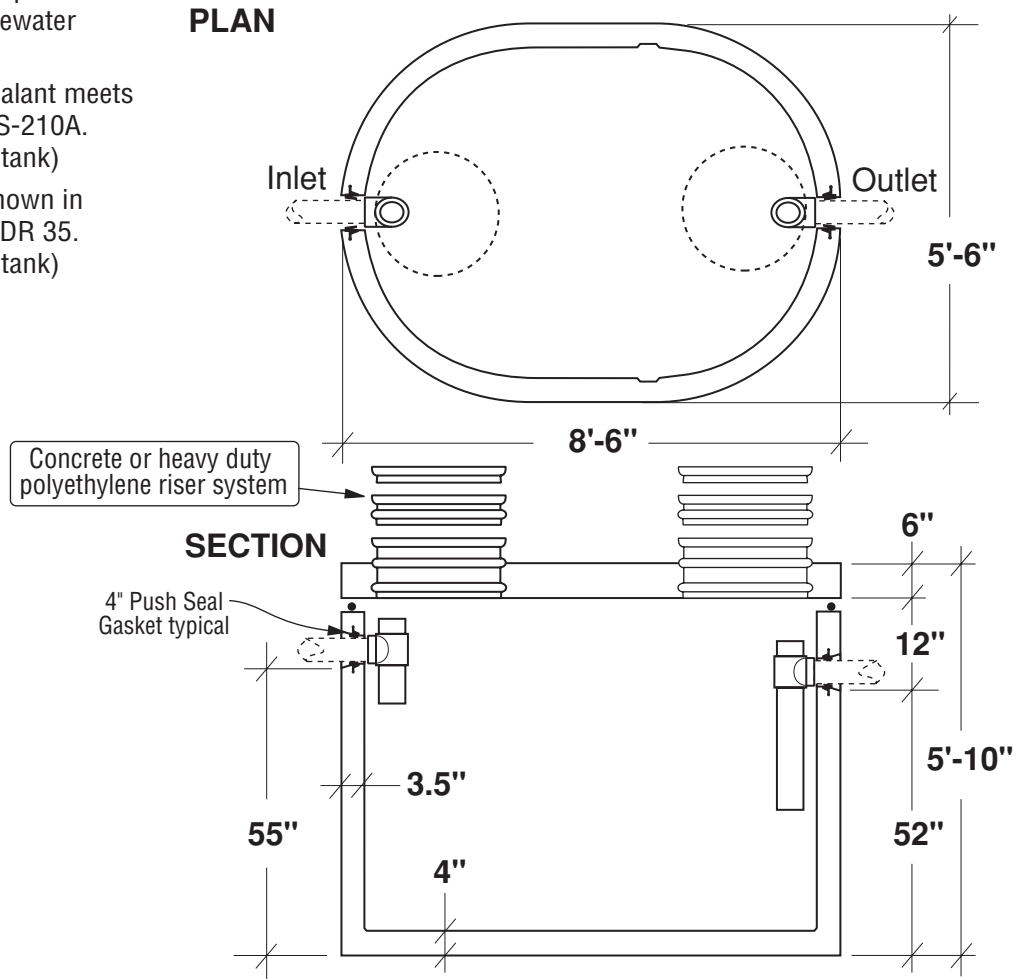


1000 Gal. Single Compartment Septic Tank

FLXX®

FLXX®

- Monolithic tank meets ASTM-C-1227 Spec. for water and wastewater structures.
- Butyl rubber sealant meets Fed. Spec. SS-S-210A. (Provided with tank)
- All plumbing shown in diagram is 4" SDR 35. (Provided with tank)



Part #	Capacity (gallons)	Approximate Weights		
		Tank	Lid	Total
PCA-000-251	1070	6,995 lbs	2,550 lbs	9,545 lbs

Note: N.T.S.

FLXX® 
Watertight
Front Range Precast Concrete, Inc.
 5439 N. Foothills Highway, Boulder, Colorado 80302
 Phone (303) 442-3207 • (800) 783-3207 • Fax (303) 442-3209
www.flxx.com

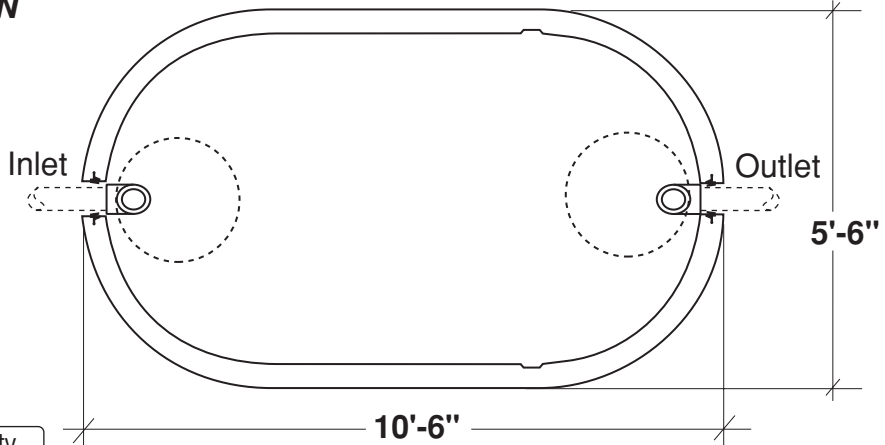
1250 Gal. Single Compartment Septic Tank

FLXX®

FLXX®

- Monolithic tank meets ASTM-C-1227 Spec. for water and wastewater structures.

PLAN

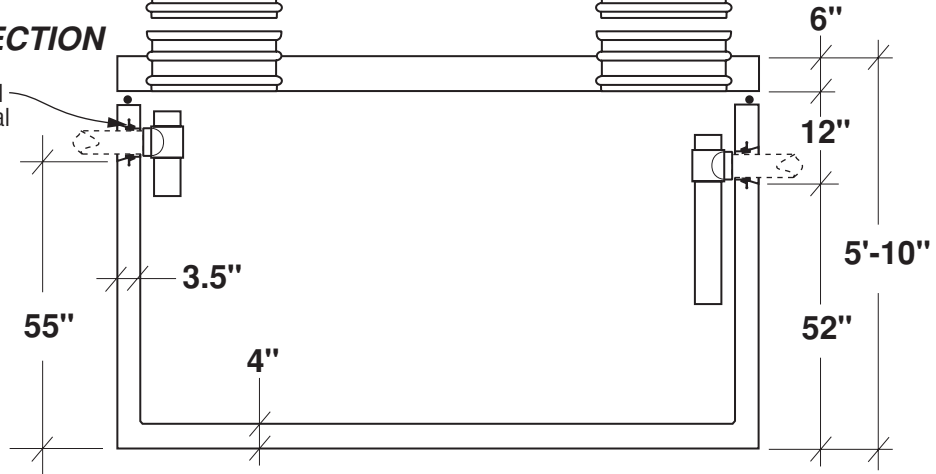


- Butyl rubber sealant meets Fed. Spec. SS-S-210A. (Provided with tank)
- All plumbing shown in diagram is 4" SDR 35. (Provided with tank)

Concrete or heavy duty polyethylene riser system

SECTION

4" Push Seal Gasket typical



Part #	Capacity (gallons)	Approximate Weights		
		Tank	Lid	Total
PCA-000-253	1390	8,430 lbs	3,375 lbs	11,805 lbs

Note: N.T.S.

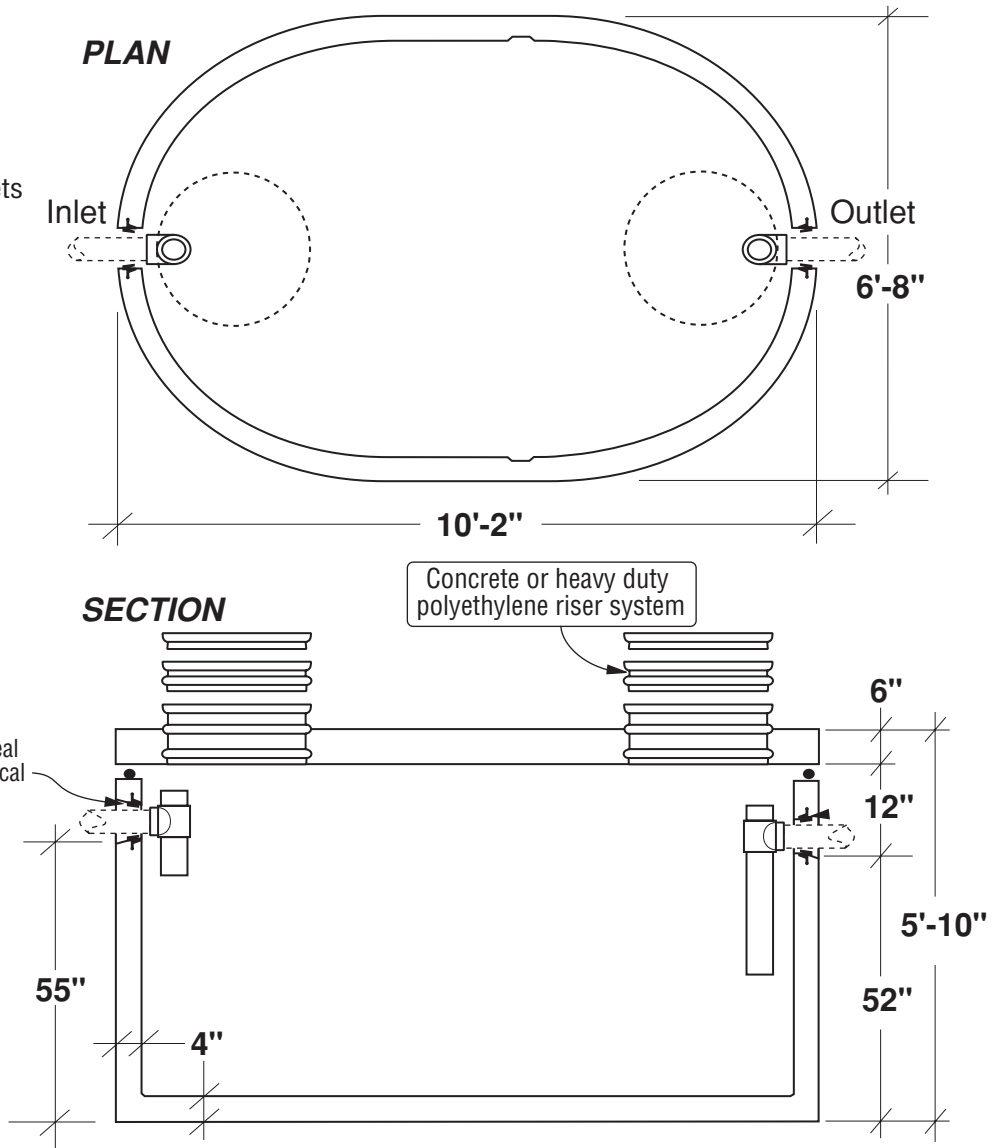
FLXX® 
Watertight
Front Range Precast Concrete, Inc.
 5439 N. Foothills Highway, Boulder, Colorado 80302
 Phone (303) 442-3207 • (800) 783-3207 • Fax (303) 442-3209
www.flxx.com

1500 Gal. Single Compartment Septic Tank

FLXX®

FLXX®

- Monolithic tank meets ASTM-C-1227 Spec. for water and wastewater structures.
- Butyl rubber sealant meets Fed. Spec. SS-S-210A. (Provided with tank)
- All plumbing shown in diagram is 4" SDR 35. (Provided with tank)



Part #	Capacity (gallons)	Approximate Weights		
		Tank	Lid	Total
PCA-000-255	1535	9,615 lbs	3,900 lbs	13,515 lbs

Note: N.T.S.

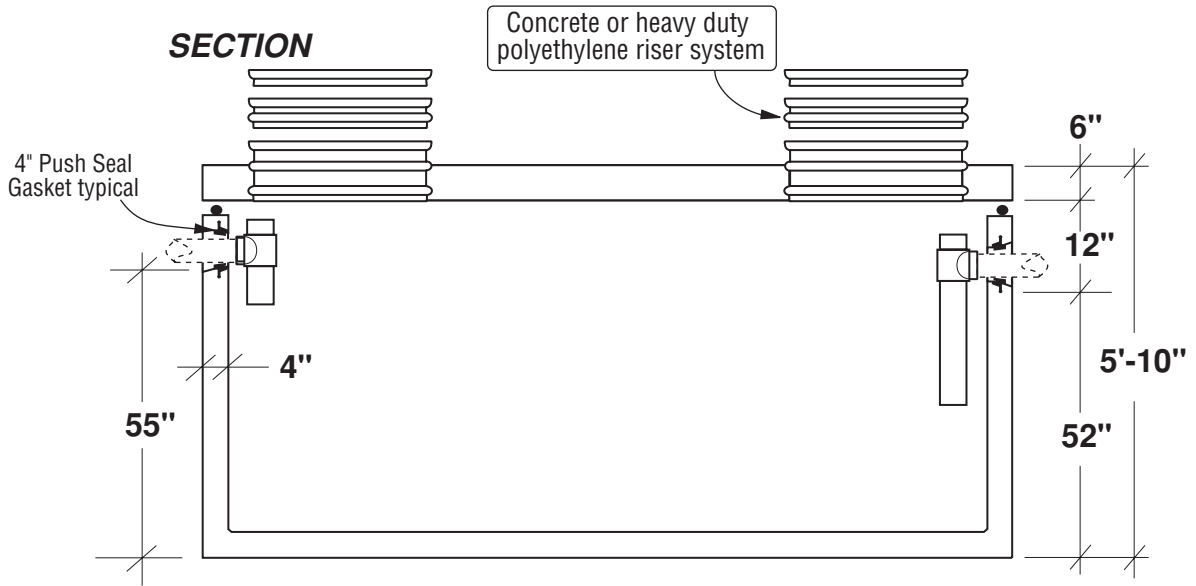
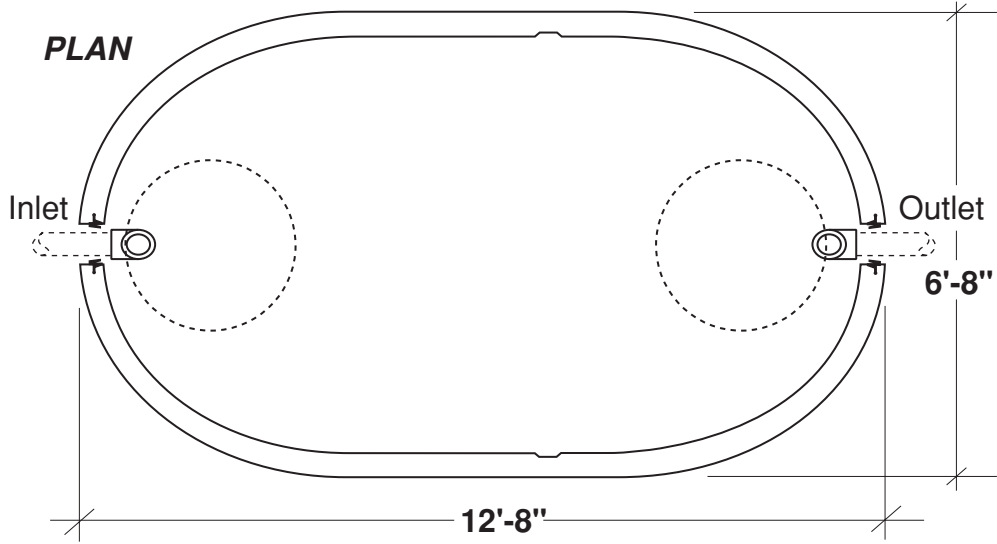
FLXX® 
Watertight
Front Range Precast Concrete, Inc.
 5439 N. Foothills Highway, Boulder, Colorado 80302
 Phone (303) 442-3207 • (800) 783-3207 • Fax (303) 442-3209
www.flxx.com

2000 Gal. Single Compartment Septic Tank

FLXX®

FLXX®

- Monolithic tank meets ASTM-C-1227 Spec. for water and waste-water structures.
- Butyl rubber sealant meets Fed. Spec. SS-S-210A. (Provided with tank)
- All plumbing shown in diagram is 4" SDR 35. (Provided with tank)



Part #	Capacity (gallons)	Approximate Weights		
		Tank	Lid	Total
PCA-000-257	2000	11,690 lbs	5,145 lbs	16,835 lbs

Note: N.T.S.

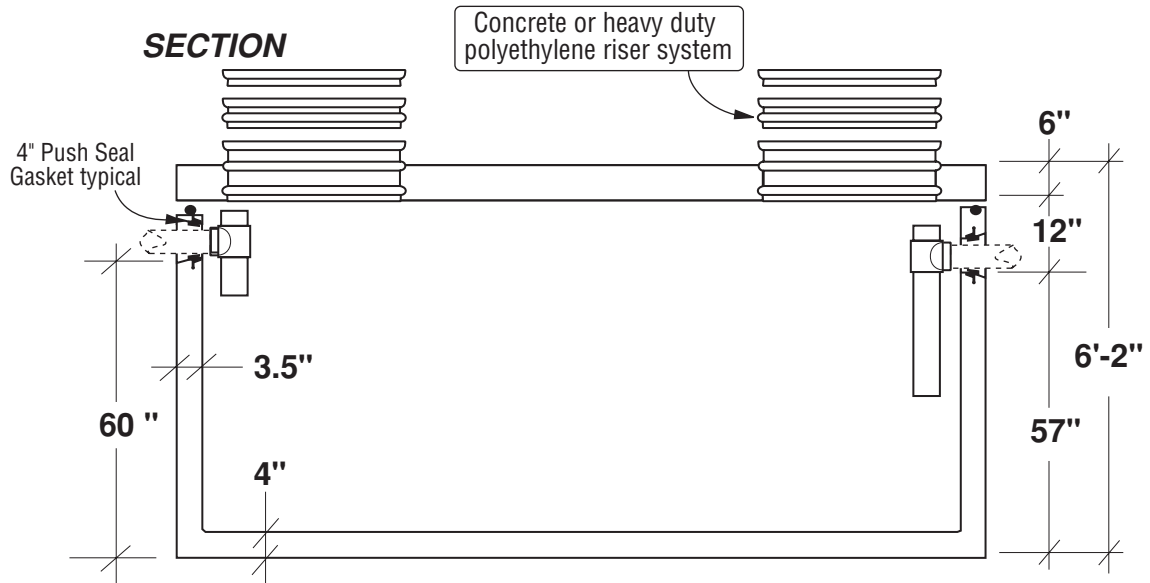
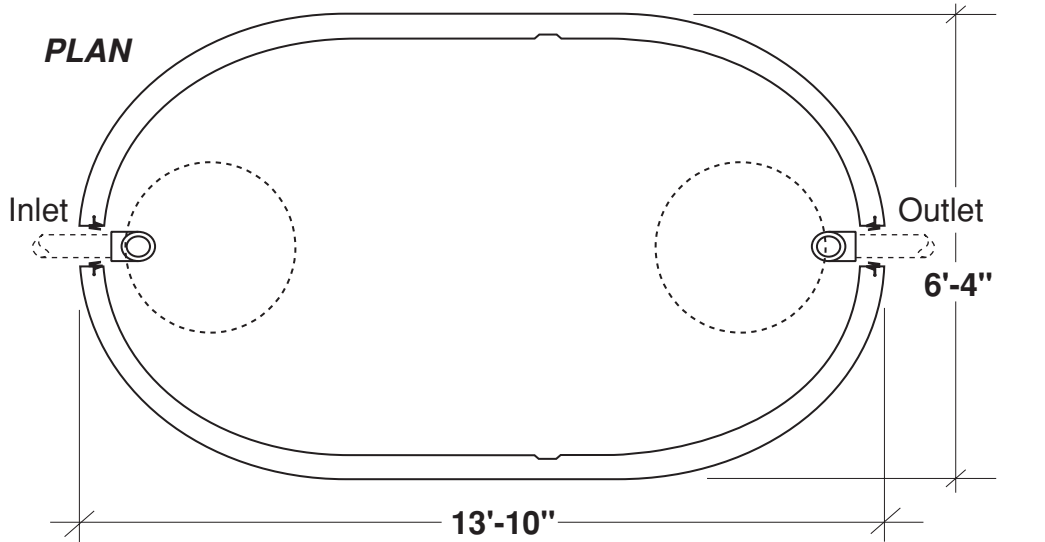
FLXX® 
Watertight
Front Range Precast Concrete, Inc.
 5439 N. Foothills Highway, Boulder, Colorado 80302
 Phone (303) 442-3207 • (800) 783-3207 • Fax (303) 442-3209
www.flxx.com

2500 Gal. Single Compartment Septic Tank

FLXX®

FLXX®

- Monolithic tank meets ASTM-C-1227 Spec. for water and wastewater structures.
- Butyl rubber sealant meets Fed. Spec. SS-S-210A. (Provided with tank)
- All plumbing shown in diagram is 4" SDR 35. (Provided with tank)



Part #	Capacity (gallons)	Approximate Weights		
		Tank	Lid	Total
PCA-000-326	2450	11,890 lbs	5,400 lbs	17,290 lbs

Note: N.T.S.

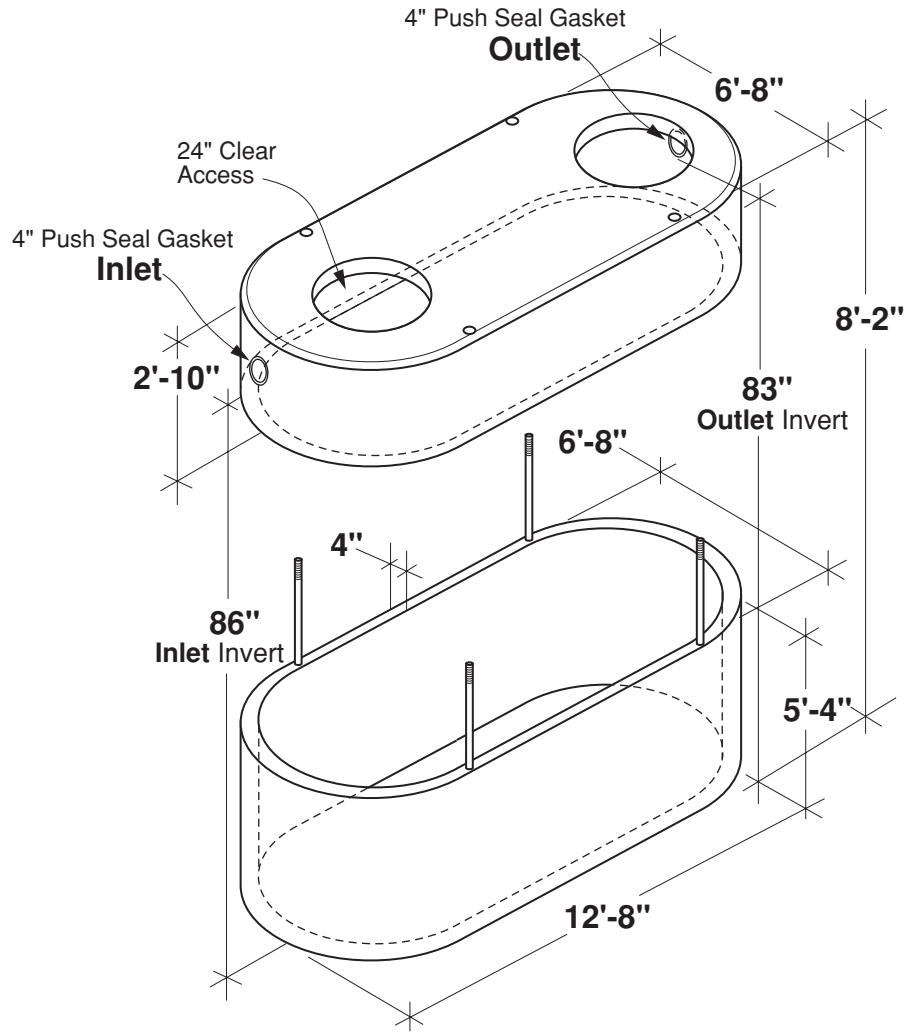
FLXX® 
Watertight
Front Range Precast Concrete, Inc.
 5439 N. Foothills Highway, Boulder, Colorado 80302
 Phone (303) 442-3207 • (800) 783-3207 • Fax (303) 442-3209
www.flxx.com

3250 Gal. Single Compartment Septic Tank/Vault

FLXX®

FLXX®

- Tank meets ASTM-C-1227 Spec. for water and wastewater structures.
- Various lid and riser options available.
- Tank sections sealed using a polyurethane sealant and four (4) 1" grade #8 rods.



Part #	Capacity (gallons)	Approximate Weights		
		Tank	Dometite Lid	Total
PCA-000-320	3240	11,690 lbs	7,715 lbs	19,405 lbs

Note: N.T.S.

FLXX® 
Watertight
Front Range Precast Concrete, Inc.
 5439 N. Foothills Highway, Boulder, Colorado 80302
 Phone (303) 442-3207 • (800) 783-3207 • Fax (303) 442-3209
www.flxx.com