

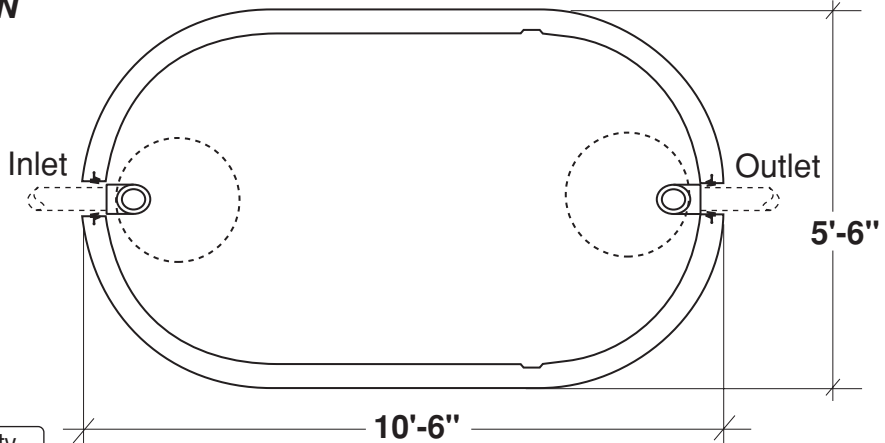
1250 Gal. Single Compartment Septic Tank

FLXX®

FLXX®

- Monolithic tank meets ASTM-C-1227 Spec. for water and wastewater structures.

PLAN

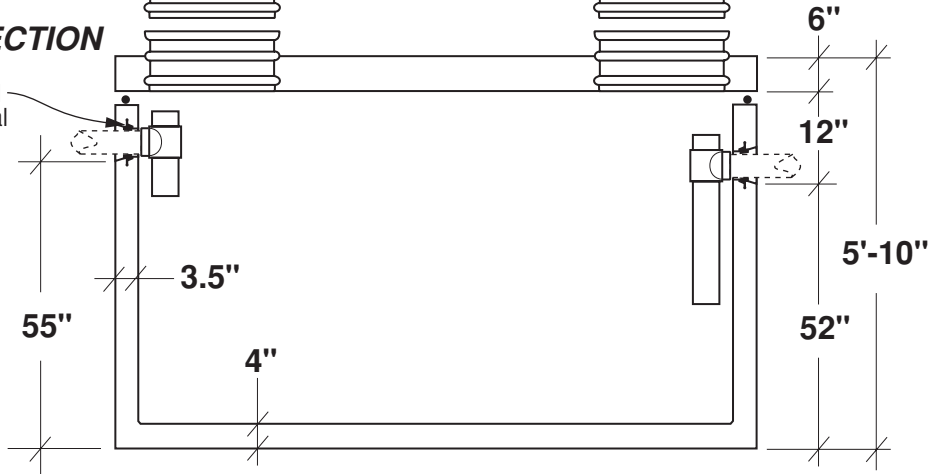


- Butyl rubber sealant meets Fed. Spec. SS-S-210A. (Provided with tank)
- All plumbing shown in diagram is 4" SDR 35. (Provided with tank)

Concrete or heavy duty polyethylene riser system

SECTION

4" Push Seal Gasket typical



Part #	Capacity (gallons)	Approximate Weights		
		Tank	Lid	Total
PCA-000-253	1390	8,430 lbs	3,375 lbs	11,805 lbs

Note: N.T.S.

FLXX® 
Watertight
Front Range Precast Concrete, Inc.
 5439 N. Foothills Highway, Boulder, Colorado 80302
 Phone (303) 442-3207 • (800) 783-3207 • Fax (303) 442-3209
www.flxx.com