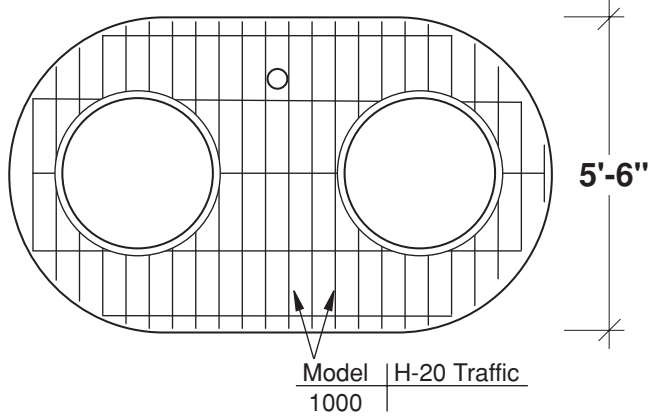


1000 Gal. Sand & Oil Interceptor

FLXX

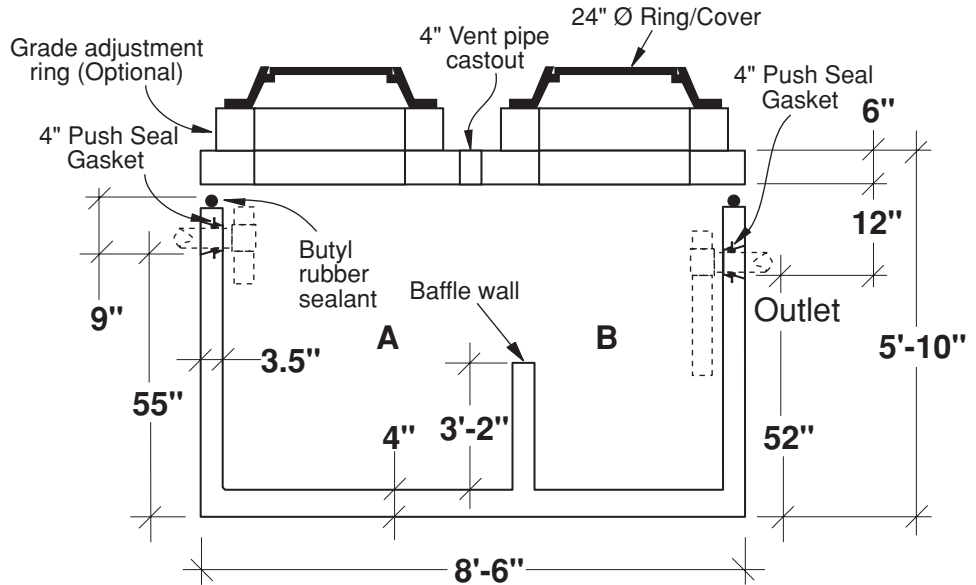
FLXX

TOP SLAB - TYPICAL REINFORCEMENT



- Secondary chamber volume equal to 1/3 total capacity.
- Tanks meet or exceed ASTM-C-913 specifications for water and wastewater structures.
- Butyl rubber sealant meets or exceeds Fed. Spec. SS-S-210A. (Provided with tank)
- ASSHTO H-20 traffic rated.
- Plumbing shown in diagram provided by others.

SECTION



Part #	Capacities				Approximate Weights			
	Section/Gal.		Cubic Ft.		Tank	Lid	Baffle Wall	Total
PCA-000-274	A	B	A	B	6,995 lbs	2,550 lbs	595 lbs	10,140 lbs
	640	430	83.5	56				

Note: N.T.S.

FLXX 
Watertight
Front Range Precast Concrete, Inc.
 5439 N. Foothills Highway, Boulder, Colorado 80302
 Phone (303) 442-3207 • (800) 783-3207 • Fax (303) 442-3209
www.flxx.com