

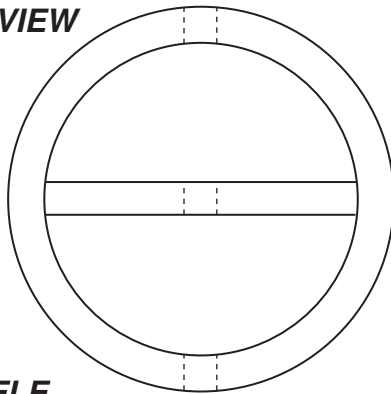
# 500 Gal. Grease Interceptor

FLXX®

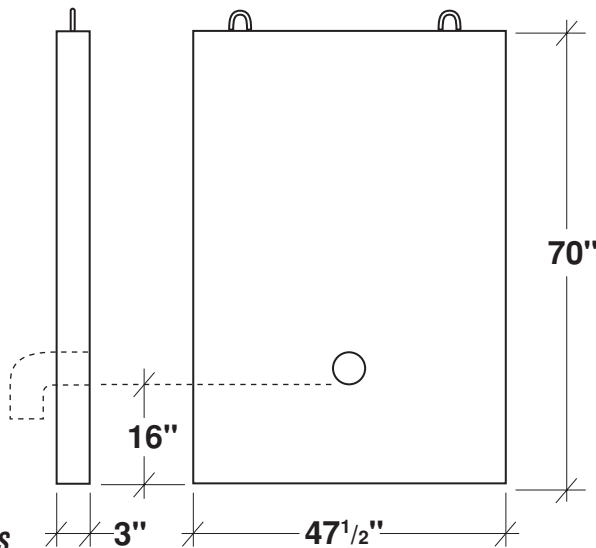
FLXX®

- PCA-000-332
- Secondary chamber volume equal to 1/2 total capacity.
- **Verify compliance with local regulations.**
- Tanks meet or exceed ASTM-C-478 specifications for water and wastewater structures.
- Butyl rubber sealant meets or exceeds Fed. Spec. SS-S-210A. (Provided with tank)
- ASSHTO H-20 traffic rated.
- Plumbing provided by others.

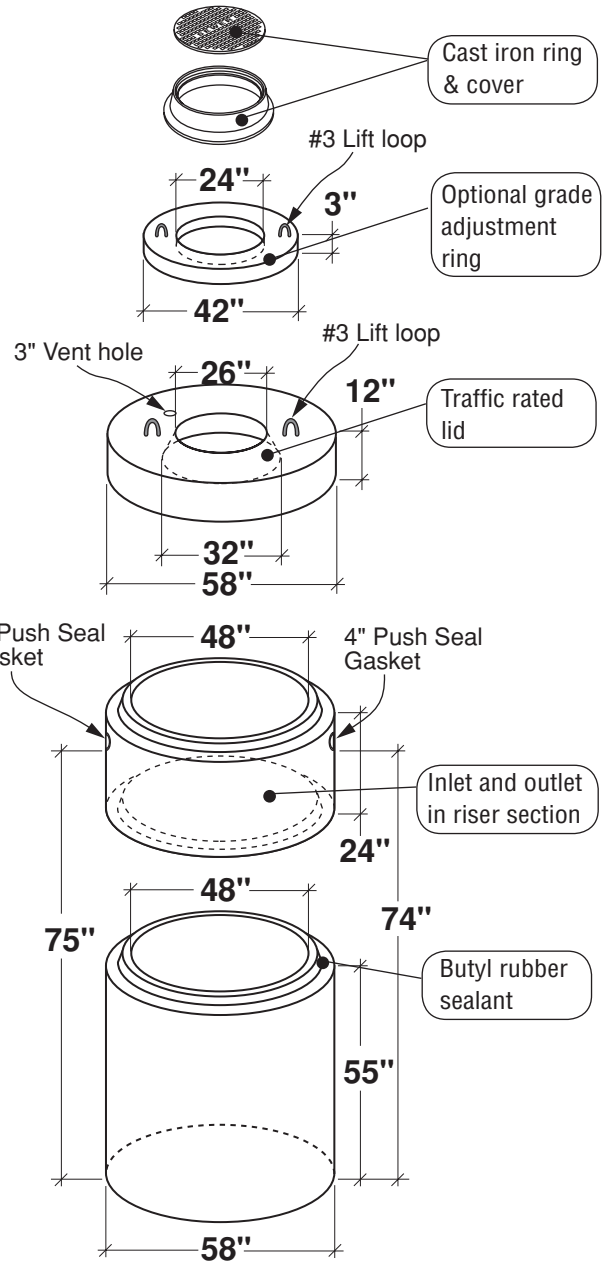
TOP VIEW



BAFFLE



Note: N.T.S.



**FLXX®**   
**Watertight**  
**Front Range Precast Concrete, Inc.**  
 5439 N. Foothills Highway, Boulder, Colorado 80302  
 Phone (303) 442-3207 • (800) 783-3207 • Fax (303) 442-3209  
[www.flxx.com](http://www.flxx.com)