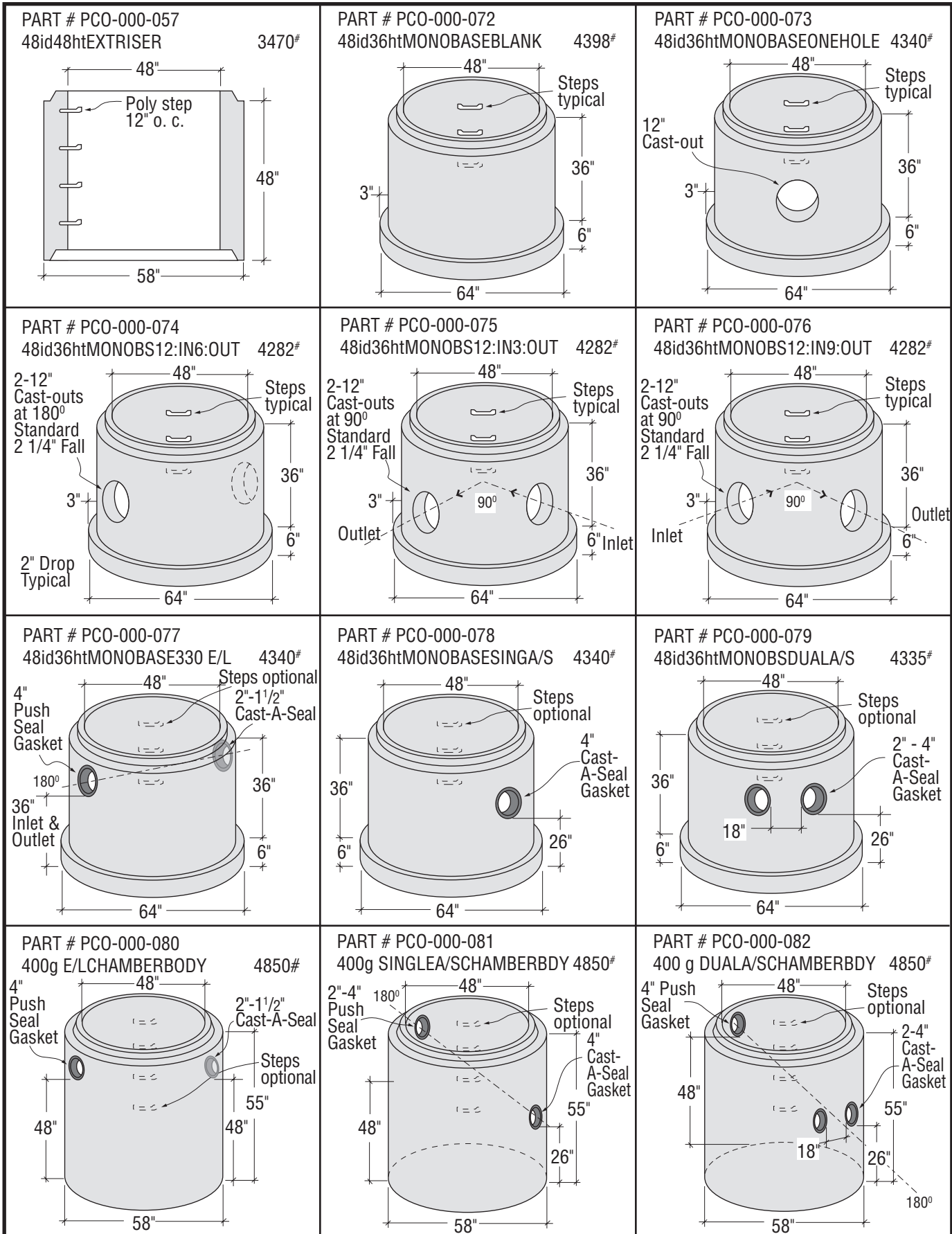
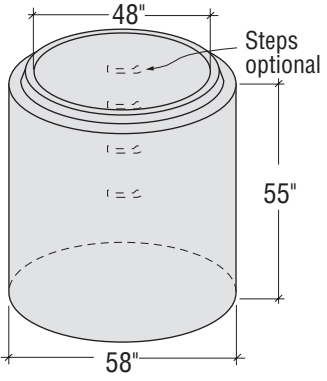
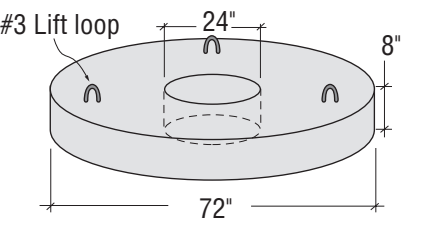
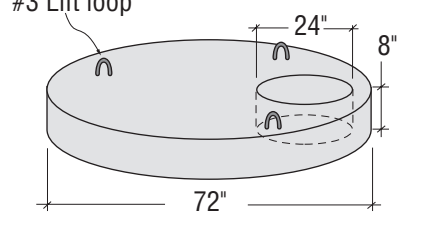
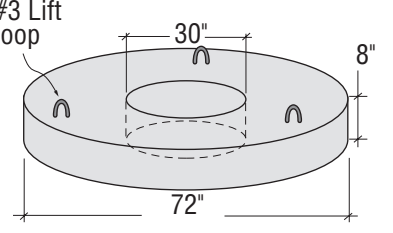
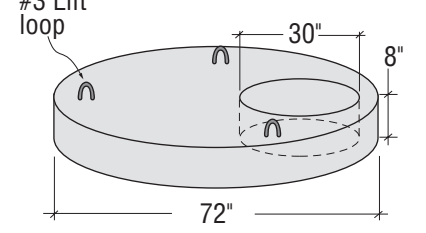
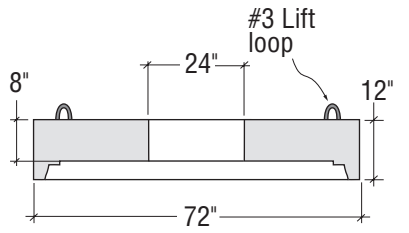
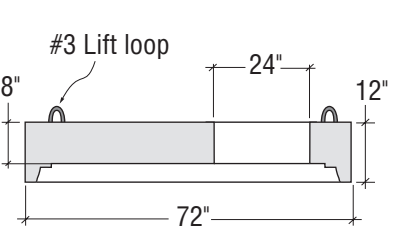
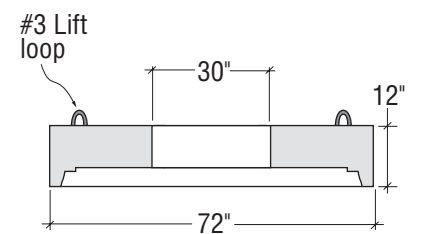
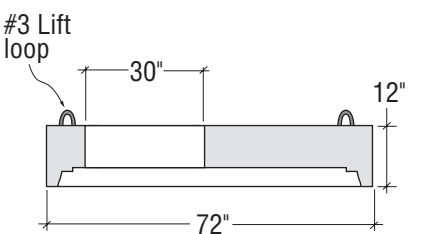
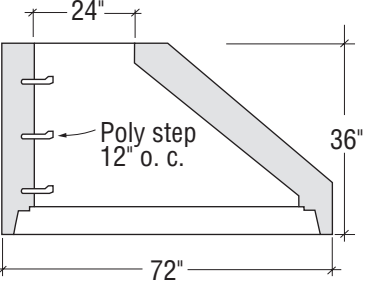
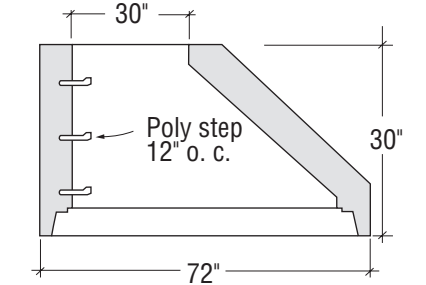
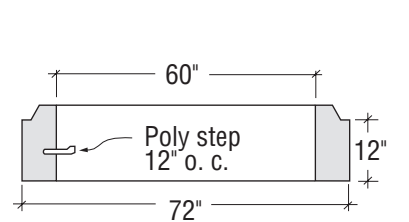
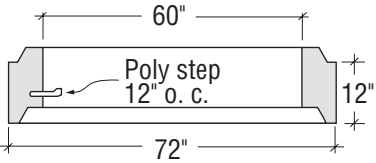
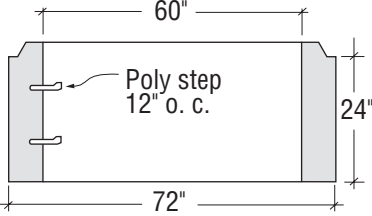
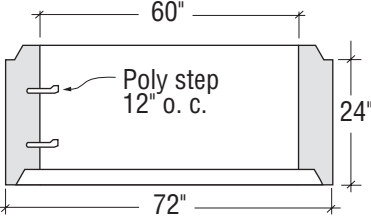
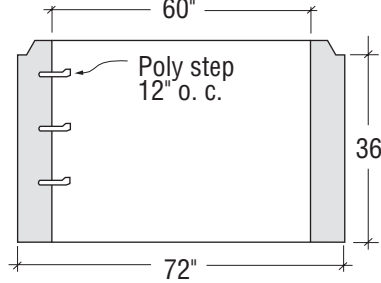
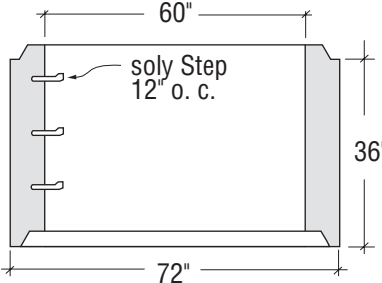
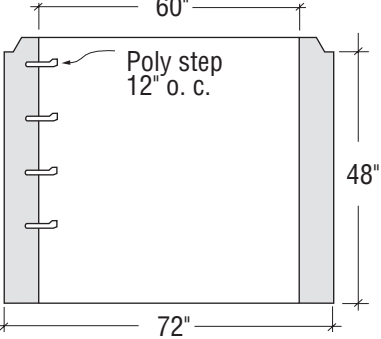
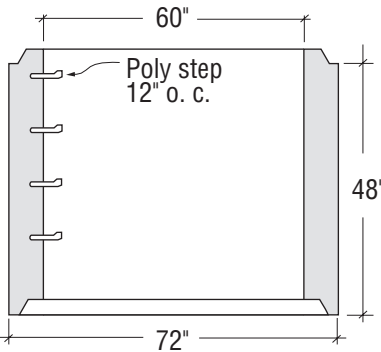
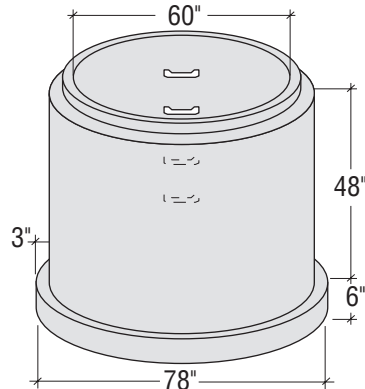
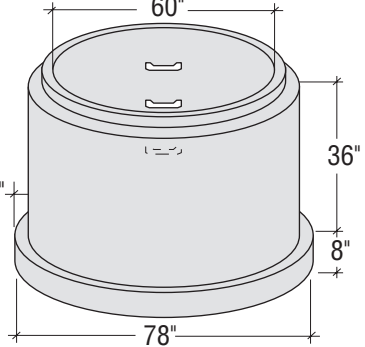
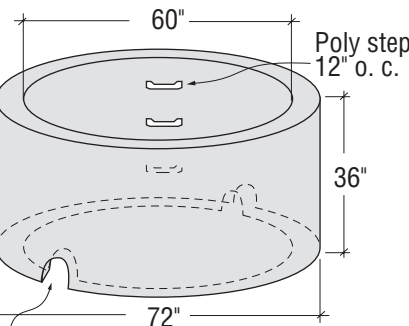
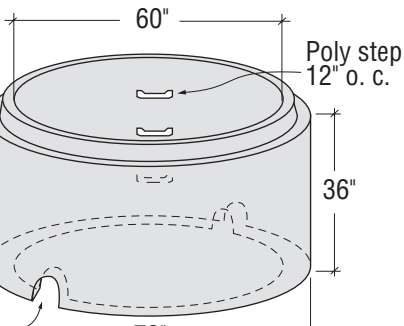
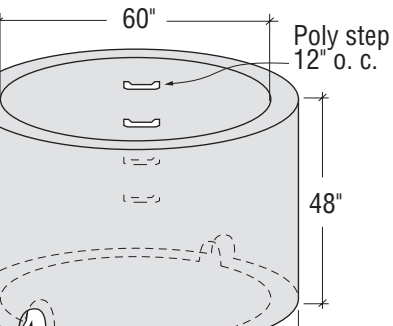


Front Range Precast Concrete, Inc.

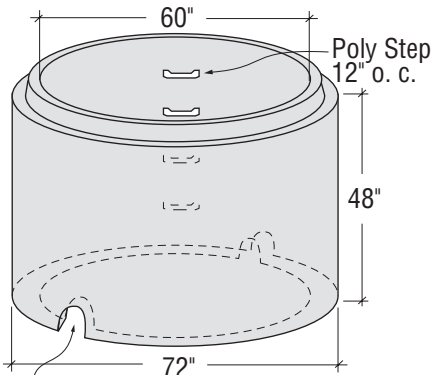
Phone (303) 442-3207 • (800) 783-3207 • Fax (303) 442-3209



<p>PART # PCO-000-083 400 g BLANKTNKBDY 4850#</p> 	<p>PART # PCO-000-090 60id72odTWLSLAB24CENTACC 2514#</p> 	<p>PART # PCO-000-091 60id72odTWLSLAB24OFFACC 2514#</p> 
<p>PART # PCO-000-095 60id72odTWLSLAB30CENTACC 2335#</p> 	<p>PART # PCO-000-096 60id72odTWLSLAB30OFFACC 2335#</p> 	<p>PART # PCO-000-092 60id72odTWLLIP24CENTACC 2808#</p> 
<p>PART # PCO-000-093 60id72odTWLLIP24OFFACC 2808#</p> 	<p>PART # PCO-000-097 60id72odTWLLIP30CENTACC 2631#</p> 	<p>PART # PCO-000-098 60id72odTWLLIP30OFFACC 2631#</p> 
<p>PART # PCO-000-099 60id36htECCONE24ACC 3000#</p> 	<p>PART # PCO-000-100 60id30htECCONE30ACC 2625#</p> 	<p>PART # PCO-000-255 60id12htFLATBOTTOM 1400#</p> 

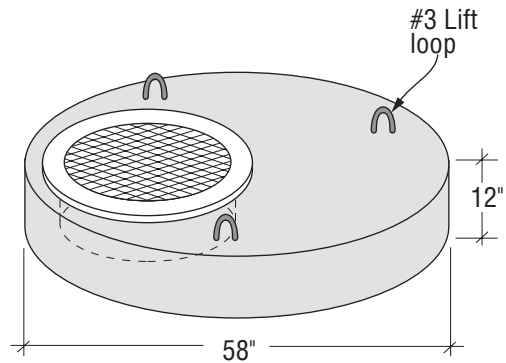
<p>PART # PCO-000-256 60id12htEXTRISER 1400#</p> 	<p>PART # PCO-000-101 60id24htFLATBOTTOM 2805#</p> 	<p>PART # PCO-000-102 60id24htEXTRISER 2592#</p> 
<p>PART # PCO-000-103 60id36htFLATBOTTOM 4100#</p> 	<p>PART # PCO-000-104 60id36htEXTRISER 3888#</p> 	<p>PART # PCO-000-105 60id48htFLATBOTTOM 5397#</p> 
<p>PART # PCO-000-106 60id48htEXTRISER 5184#</p> 	<p>PART # PCO-000-089 60id48htMONOBASEBLANK 8980#</p> 	<p>PART # PCO-000-257 60id36htMONOBASEBLANK 6580#</p> 
<p>PART # PCO-000-107 60id36htMETPITBODYFLTOP 4011#</p>  <p>2-8" X 8" Doghouse shaped cast-outs at 180°</p>	<p>PART # PCO-000-108 60id36htMETPITBODYLIPTOP 4205#</p>  <p>2-8" X 8" Doghouse shaped cast-outs at 180°</p>	<p>PART # PCO-000-109 60id48htMETPITBODYFLTOP 4205#</p>  <p>2-8" X 8" Doghouse shaped cast-outs at 180°</p>

PART # PCO-000-110  
60id48htMETPITBODYLIPTOP 4400#



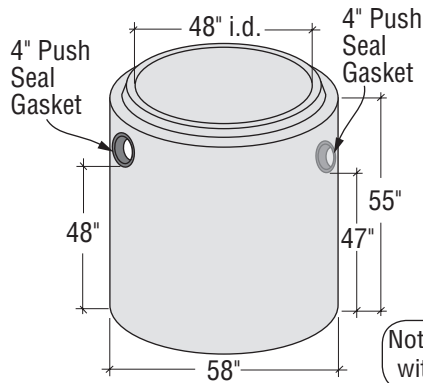
2-8" X 8" Doghouse shaped  
cast-outs at 180°

PART # PCO-000-262  
Manhole Lid with Flush Cast Frame and Cover 1750#



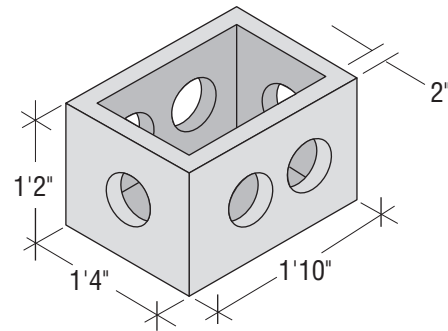
Contact your FRPC representative  
for pricing and availability.

PART # PCO-000-276  
400g S&O Grease Interceptor Base 4850#

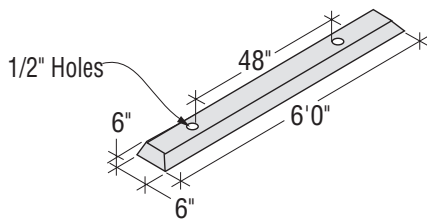


Note: Verify compliance  
with local regulations.

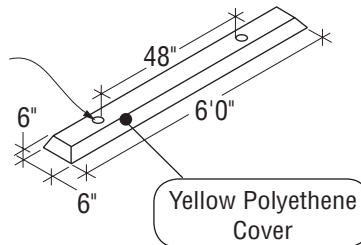
PART # PCO-000-193  
CONCD-BOX5OUTLET 250#



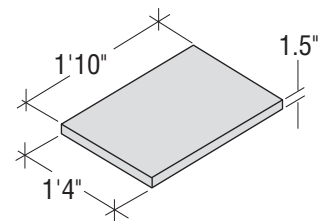
PART # PCO-000-175  
PARKINGBLOCKCONC 255#



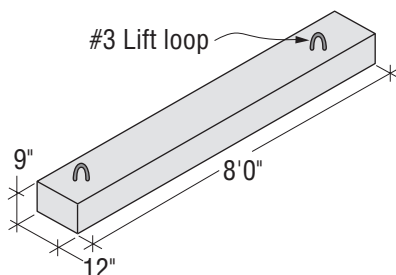
PART # PLO-000-235  
POLYPARKINGBLOCK 255#



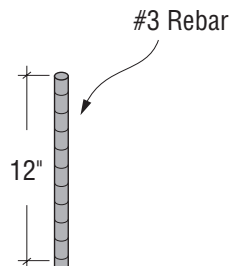
PART # PCO-000-196  
LIDONLY5OUTLETCONCD-BOX 46#



PART # PCO-000-176  
9"x12"x8'0" BEAMFOUNDATION 900#



PART # MCO-000-203  
PARKINGBLOCKPIN



PART # PCO-000-281  
BAFFLE47.5X24SHORTNOHOLE 295#  
400g Sand & Oil Interceptor

