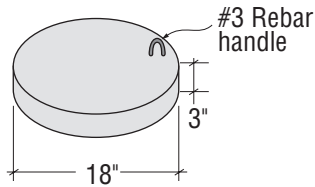


Concrete Parts & Manhole Sections

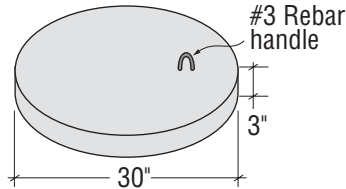
PART # PCO-000-258
PUMPPLEFRM18DIAM

65#



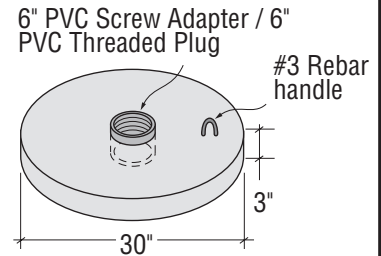
PART # PCO-000-003
24id30odDISKLID

183#



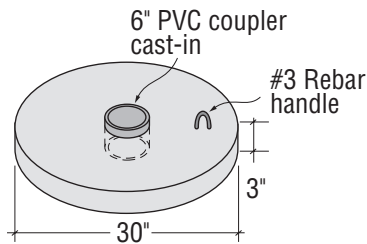
PART # PCO-000-004
24id30odCISTERNFILLERLID

178#



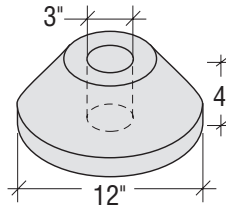
PART # PCO-000-005
24id30odPUMPPORTDISKLID

178#



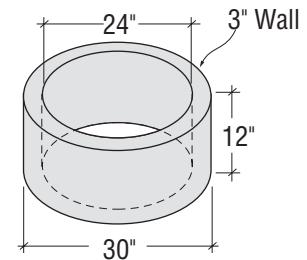
PART # PCO-000-238
SPRINKLERPROTECTOR12DIA

29#



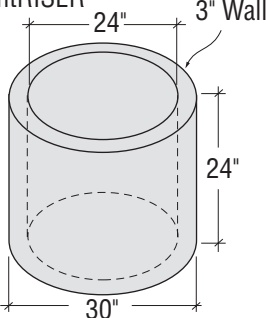
PART # PCO-000-006
24id12htRISER

265#



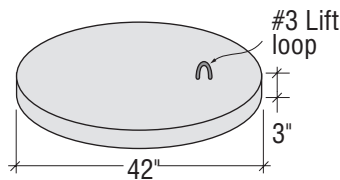
PART # PCO-000-007
24id24htRISER

530#



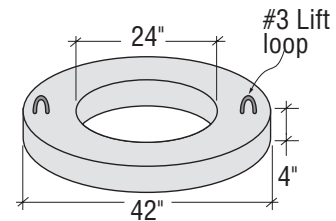
PART # PCO-000-008
36id42odDISKLID

360#



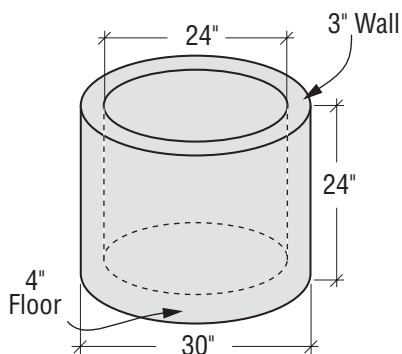
PART # PCO-000-009
36d42odLID/24acc4th

324#



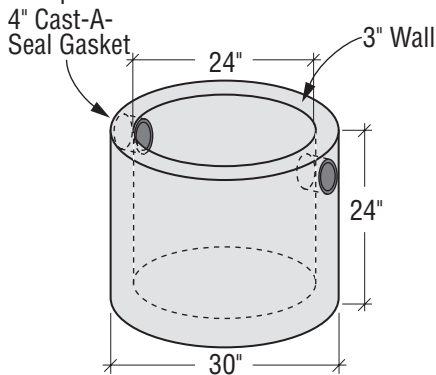
PART # PCO-000-264
Sample Pit Base

650#



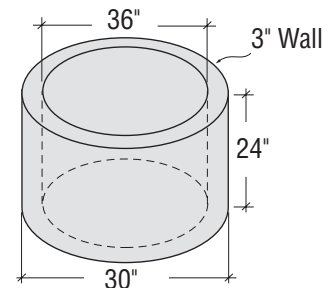
PART # PCO-000-280
Sample Pit Riser

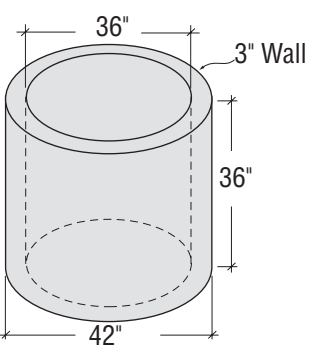
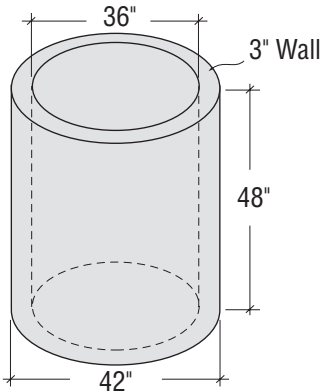
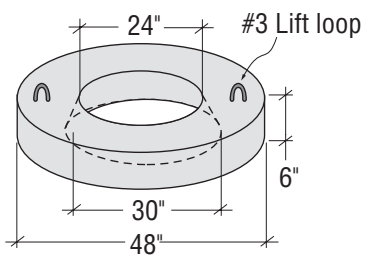
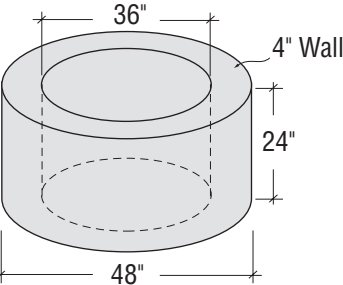
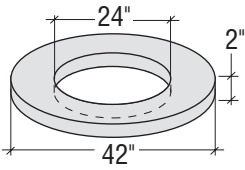
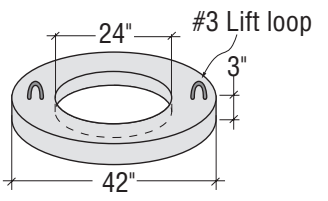
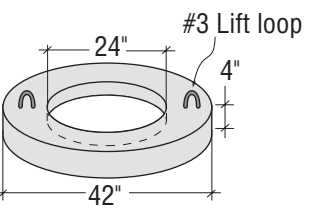
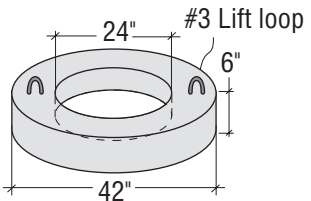
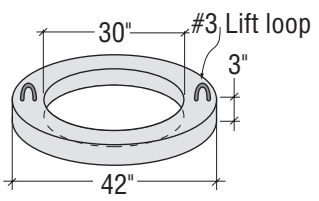
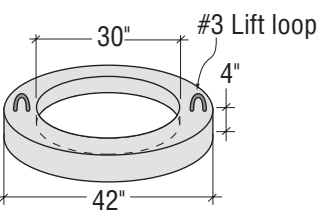
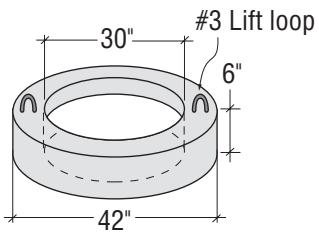
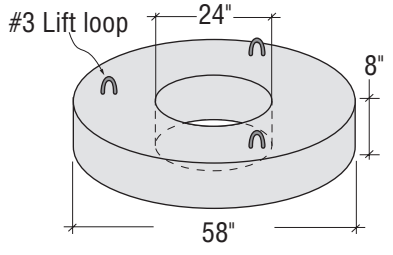
530#

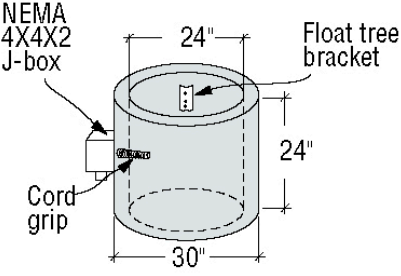
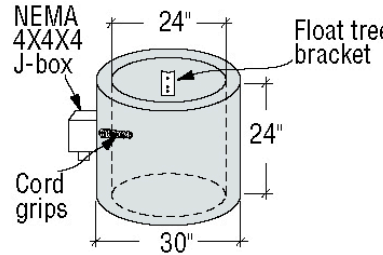
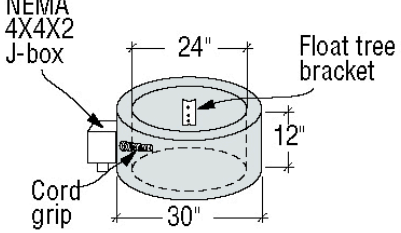
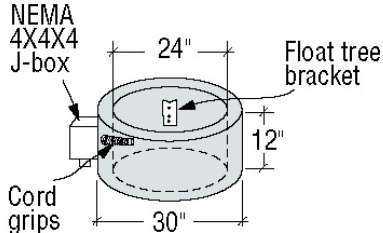
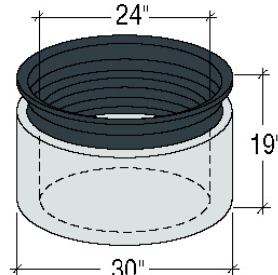
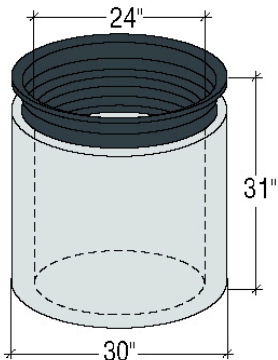
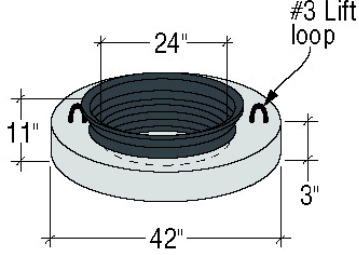
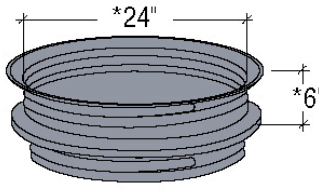
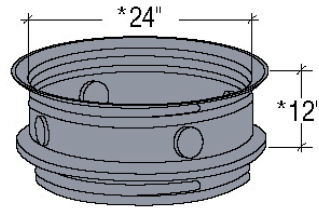
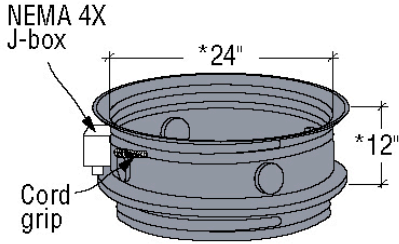
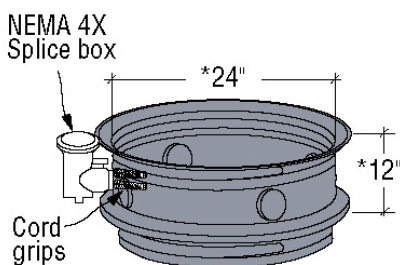
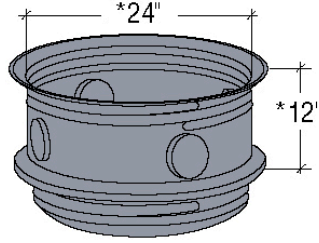


PART # PCO-000-011
36id24htRISER

765#



<p>PART # PCO-000-012 36id36htRISER 1147#</p> 	<p>PART # PCO-000-013 36id48htRISER 1530#</p> 	<p>PART # PCO-000-014 36id48odTRAFFICWTLID 744#</p> 
<p>PART # PCO-000-015 36id48od24htRISER 1646#</p> 	<p>PART # PCO-000-016 24id42od2thGRADERING 162#</p> 	<p>PART # PCO-000-017 24id42od3thGRADERING 243#</p> 
<p>PART # PCO-000-018 24id42od4thGRADERING 324#</p> 	<p>PART # PCO-000-019 24id42od6thGRADERING 486#</p> 	<p>PART # PCO-000-020 30id42od3thGRADERING 176#</p> 
<p>PART # PCO-000-021 30id42od4thGRADERING 232#</p> 	<p>PART # PCO-000-022 30id42od6thGRADERING 352#</p> 	<p>PART # PCO-000-023 48id58odTWLSLAB24centACC 1439#</p> 

<p>PART # PCO-000-261 Modriserautosiphontank 530#</p> 	<p>PART # PCO-000-263 Modriserelecliftseptank 530#</p> 	<p>PART # PCO-000-260 Modriserautosiphontank 265#</p> 
<p>PART # PCO-000-265 Modriserelecliftseptank 265#</p> 	<p>PART # CPO-000-001 FRALO Poly Transition Riser 265#</p> 	<p>PART # CPO-000-002 FRALO Poly Transition Riser 530#</p> 
<p>PART # CPO-000-003 FRALO Poly Transition Riser 243#</p> 	<p>PART # PLO-000-232 FRALO 6" Riser 7#</p>  <p>* = Nominal dimensions</p>	<p>PART # PLO-000-233 FRALO 12" Riser 10#</p>  <p>* = Nominal dimensions</p>
<p>PART # PLA-000-233 10#</p>  <p>* = Nominal dimensions</p>	<p>PART # PLA-000-234 10#</p>  <p>* = Nominal dimensions</p>	<p>PART # PLO-000-253 Orengo Screened Pump Vault Suspension Riser 15#</p>  <p>* = Nominal dimensions</p>

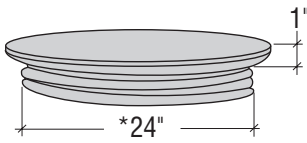


Front Range Precast Concrete, Inc.

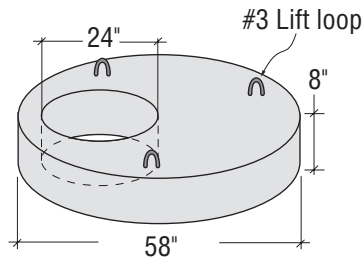
Phone (303) 442-3207 • (800) 783-3207 • Fax (303) 442-3209

www.flxx.com

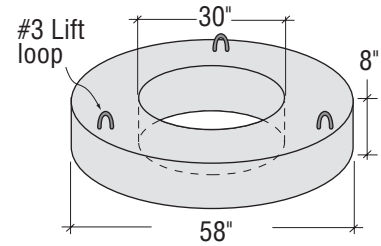
PART # PLO-000-234
FRALO Poly Cover



PART # PCO-000-024
48id58odTWLSLAB24OFFACC 1439#

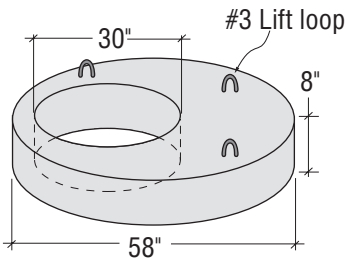


PART # PCO-000-025
48id58odTWLSLAB30CENTACC 1341#

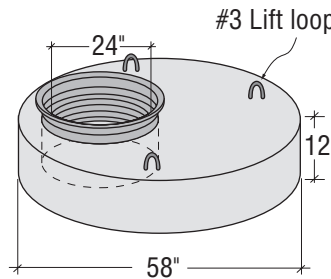


*= Nominal dimensions

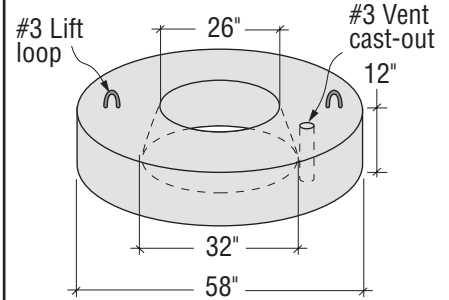
PART # PCO-000-026
48id58odTWLSLAB30OFFACC 1341#



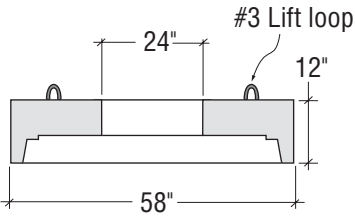
PART # PCO-000-282
48ID58ODLIPW/POLYINS 1525#



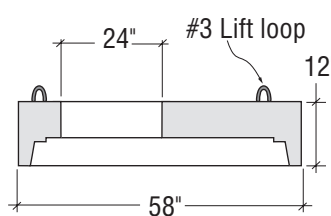
PART # PCO-000-031
48id58odTWLLIP26CENTACC 1500#



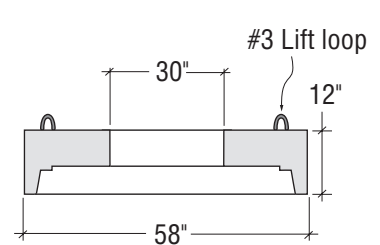
PART # PCO-000-027
48id58odTWLLIP24CENTACC 1522#



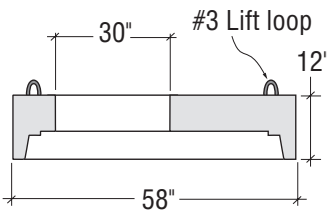
PART # PCO-000-028
48id58odTWLLIP24OFFACC 1520#



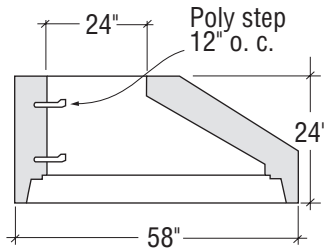
PART # PCO-000-029
48id58odTWLLIP30CENTACC 1434#



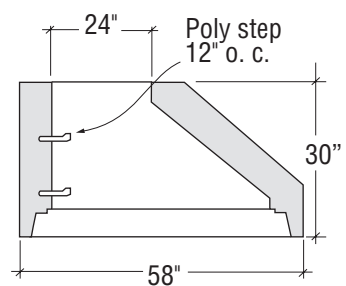
PART # PCO-000-030
48id58odTWLLIP30OFFACC 1434#

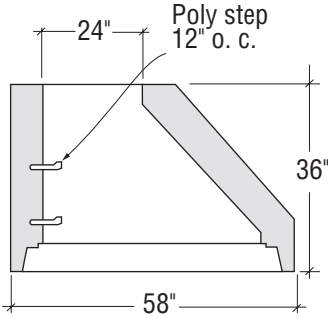
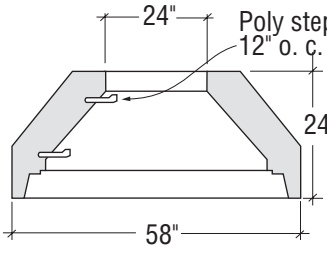
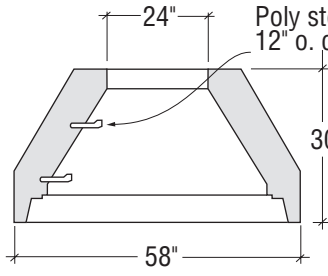
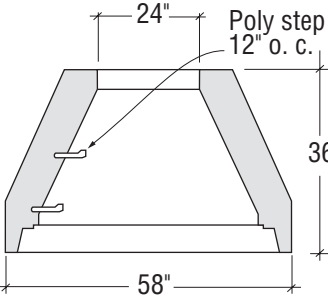
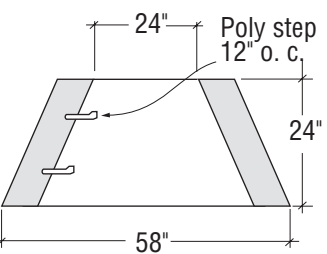
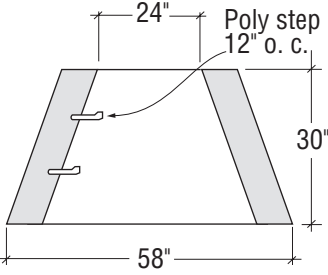
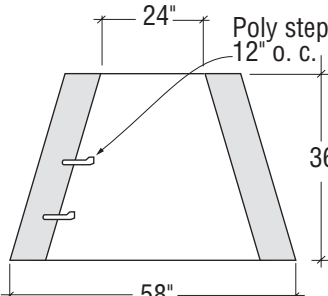
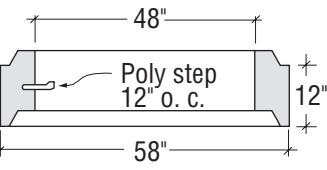
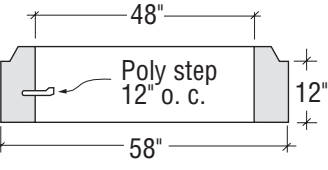
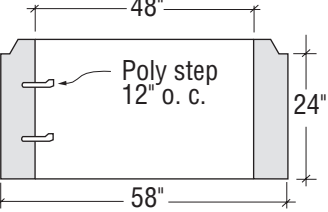
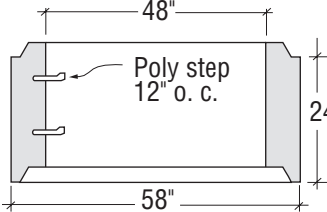


PART # PCO-000-040
48id24htECCCCONE 1932#



PART # PCO-000-041
48id30htECCCCONE 2331#



<p>PART # PCO-000-042 48id36htECCONE 2895#</p> 	<p>PART # PCO-000-043 48id24htCONCONE 1932#</p> 	<p>PART # PCO-000-044 48id30htCONCONE 2331#</p> 
<p>PART # PCO-000-045 48id36htCONCONE 2895#</p> 	<p>PART # PCO-000-046 48id24htLOWBOYCONE 2082#</p> 	<p>PART # PCO-000-047 48id30htLOWBOYCONE 2481#</p> 
<p>PART # PCO-000-048 48id36htLOWBOYCONE 3045#</p> 	<p>PART # PCO-000-254 48id12htEXTRISER 865#</p> 	<p>PART # PCO-000-253 48id12htFLTBMASTM-478 870#</p> 
<p>PART # PCO-000-049 48id24htFLTBMASTM-C478 1905#</p> 	<p>PART # PCO-000-050 48id24htEXTRISER 1740#</p> 	<p>PART # PCO-000-051 48id24htEXTRISER/4GASKET 1735#</p> <p>4" Push Seal Gasket</p> <p>1 1/2" - 2" Cast-a-Seal Gasket</p> 