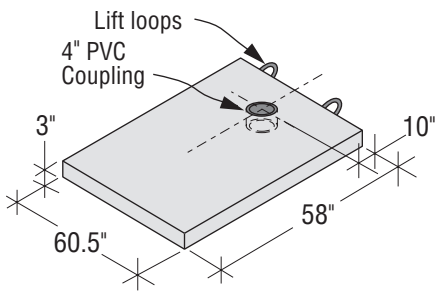
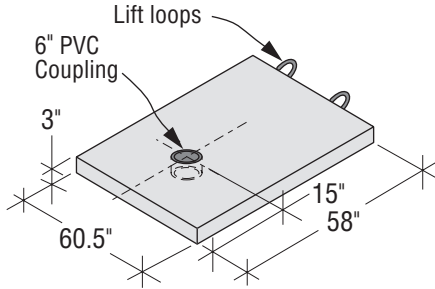


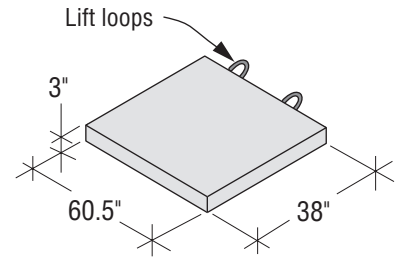
PART # PCO-000-134
 BAFFLE49.5X56HIHOLE 910#
 1000g and 1250g Septic Tanks



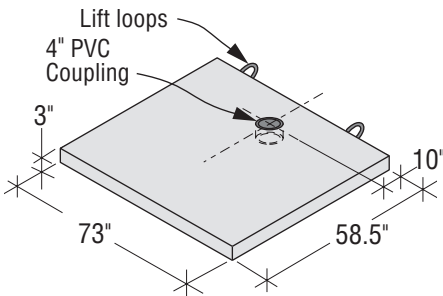
PART # PCO-000-135
 BAFFLE49.5X56LOHOLE 910#
 1000g and 1250g Grease Interceptors



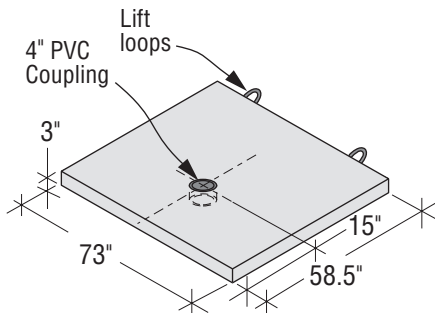
PART # PCO-000-136
 BAFFLE49.5X38SHORTNOHOLE 595#
 1000g and 1250g Sand & Oil Interceptors



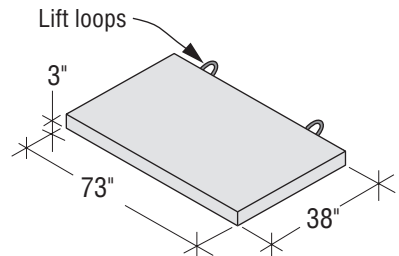
PART # PCO-000-144
 BAFFLE73X58.5HIHOLE 1110#
 1500g and 2000g Septic Tanks



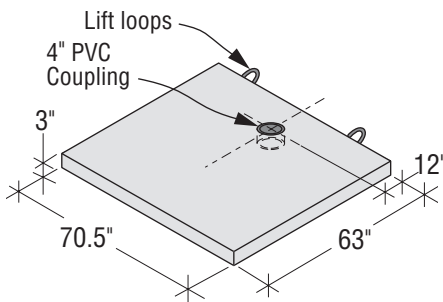
PART # PCO-000-145
 BAFFLE73X58.5LOHOLE 1110#
 1500g and 2000g Grease Interceptors



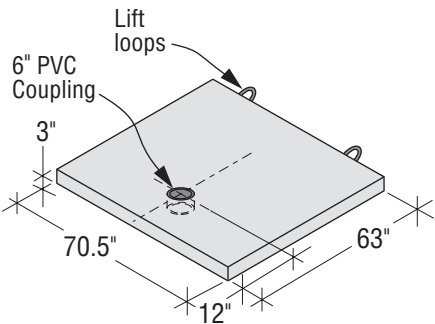
PART # PCO-000-146
 BAFFLE73X38SHORTNOHOLE 725#
 1500g and 2000g Sand & Oil Interceptors



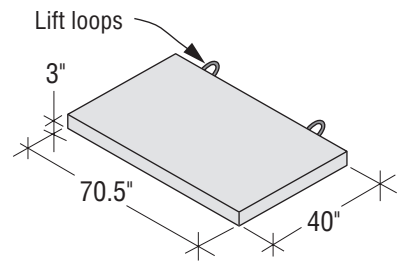
PART # PCO-000-267
 BAFFLE70.5X63HIHOLE 1150#
 2500g Septic Tanks



PART # PCO-000-268
 BAFFLE70.5X63LOHOLE 1150#
 2500g Grease Interceptors

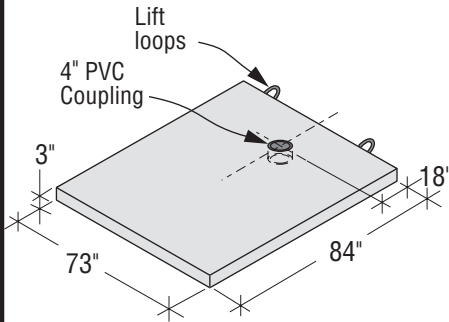


PART # PCO-000-269
 BAFFLE70.5X40SHORTNOHOLE 735#
 2500g Sand & Oil Interceptors



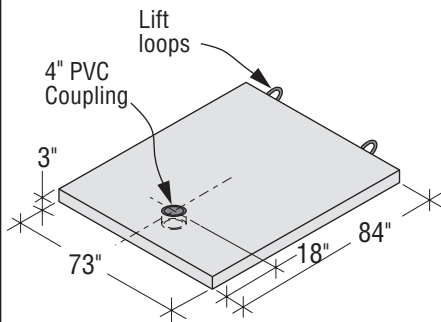
PART # PCO-000-270
BAFFLE73X84HIHOLE
3250g Septic Tank

1590#

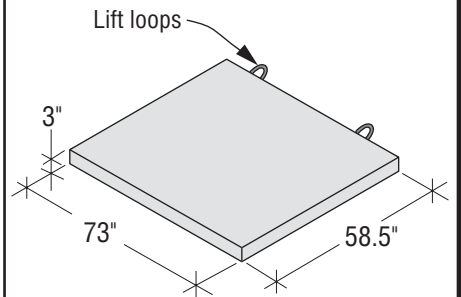


PART # PCO-000-271
BAFFLE73X84LOHOLE
3250g Grease Interceptor

1590#

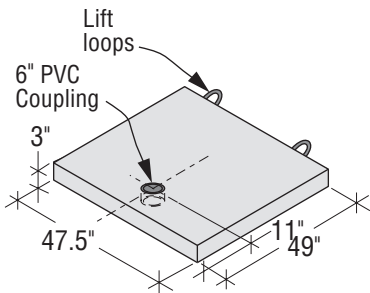


PART # PCO-000-272
BAFFLE73X58.5SHORTNOHOLE
3250g Sand & Oil Interceptor



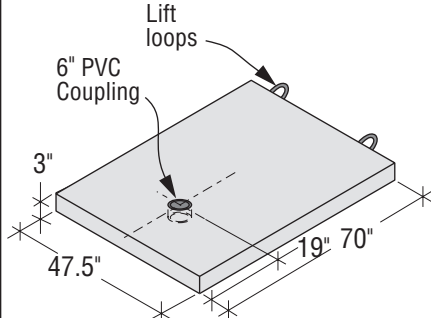
PART # PCO-000-273
BAFFLE47.5X49LOHOLE
400g Grease Interceptor

600#



PART # PCO-000-275
BAFFLE47.5X70LOHOLE
500g Grease Interceptor

860#



PART # PCO-000-276
BAFFLE47.5X49SHORTNOHOLE
500g Sand & Oil Interceptor

