

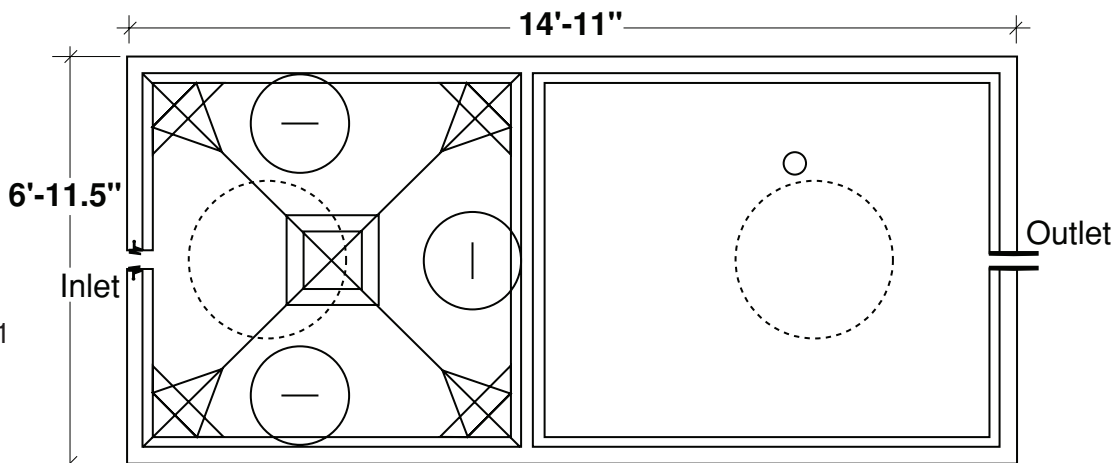
Colorado HOOT® 5 Bedroom Pumped

FLXX®

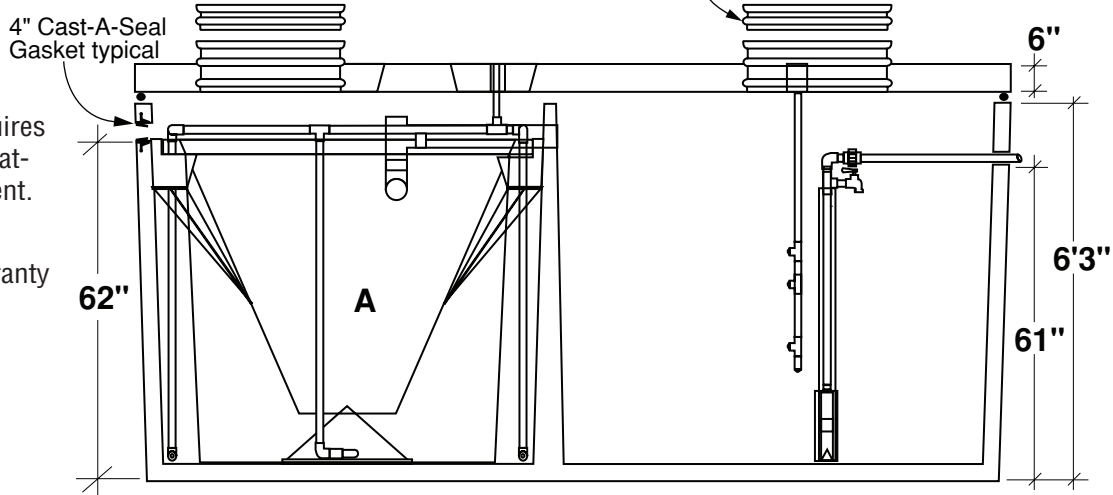
FLXX®

- Monolithic tank meets ASTM-C-1227 Spec. for water and wastewater structures.
- Butyl rubber sealant meets Fed. Spec. SS-S-210A.
- See pages 35 - 41 for pumps and controls.
- Sensor tree
- Blower / Aerator
- Blaster pump
- Optional remote monitoring system
- This system requires a separate pretreatment compartment.
- 2+ Years service
- 3 year parts warranty

PLAN



SECTION



Part Number	Capacities (gallons)		Discharge Per Cycle (gpm)	Approximate Weights		
	A	Dosing Chamber		Tank /Baffle Walls	Lid	Total
HCA-000-202	1375	1700	12-20	14,075 lbs	6,405 lbs	20,480 lbs

Note: N.T.S.

FLXX® 
Watertight
Front Range Precast Concrete, Inc.
 5901 Dexter Street, Unit 200, Commerce City, CO 80022
 Phone (303) 442-3207 • (800) 783-3207 • Fax (303) 442-3209
www.flxx.com