

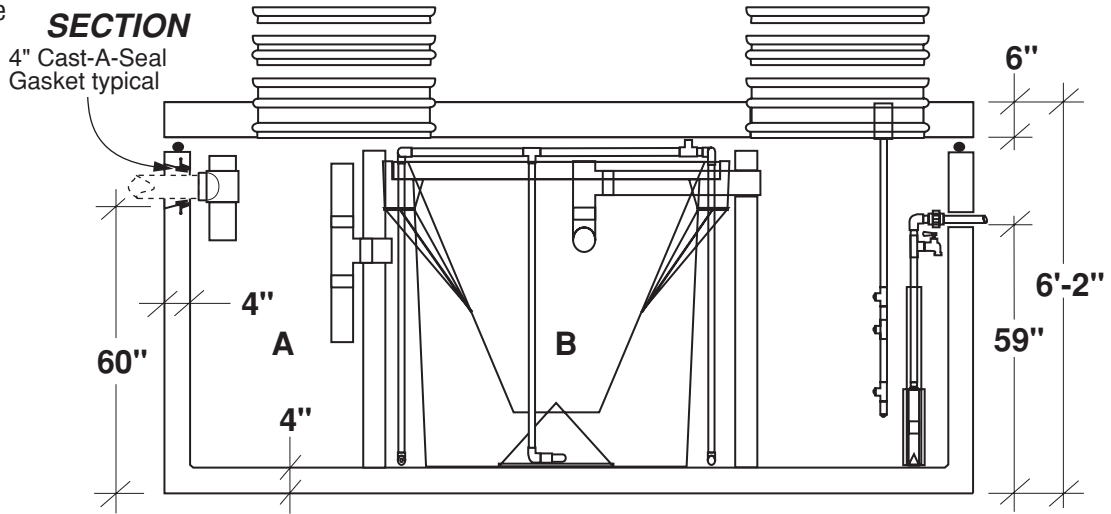
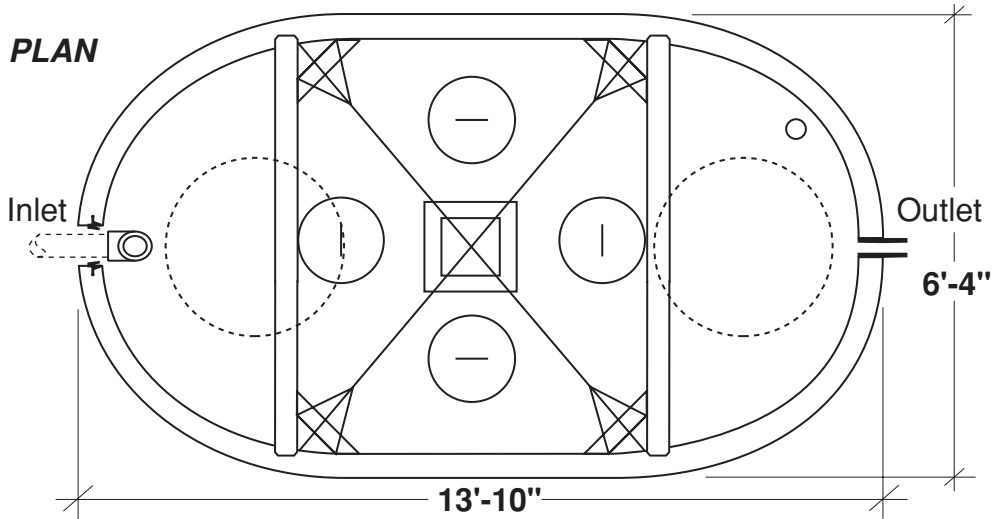
Colorado HOOT® 3 Bedroom Pumped

FLXX®

FLXX®

Total Capacity: 2300 gallons

- Monolithic tank meets ASTM-C-1227 Spec. for water and wastewater structures.
- Butyl rubber sealant meets Fed. Spec. SS-S-210A.
- See pages 35 - 41 for pumps and controls.
- Sensor tree
- Blower / Aerator
- Blaster pump
- Optional remote monitoring system
- 2+ Years service
- 3 year parts warranty



Part Number	Capacities (gallons)		Lift Station Chamber (gallons)	Discharge Per Cycle (gpm)	Approximate Weights			
	A	B			Tank	Lid	Baffle Walls	Total
HCA-0C0-200	450	1120	730	12-20	11,890 lbs	5,165 lbs	2,880 lbs	19,935 lbs

Note: N.T.S.

FLXX® 
Watertight
Front Range Precast Concrete, Inc.
 5901 Dexter Street, Unit 200, Commerce City, CO 80022
 Phone (303) 442-3207 • (800) 783-3207 • Fax (303) 442-3209
www.flxx.com

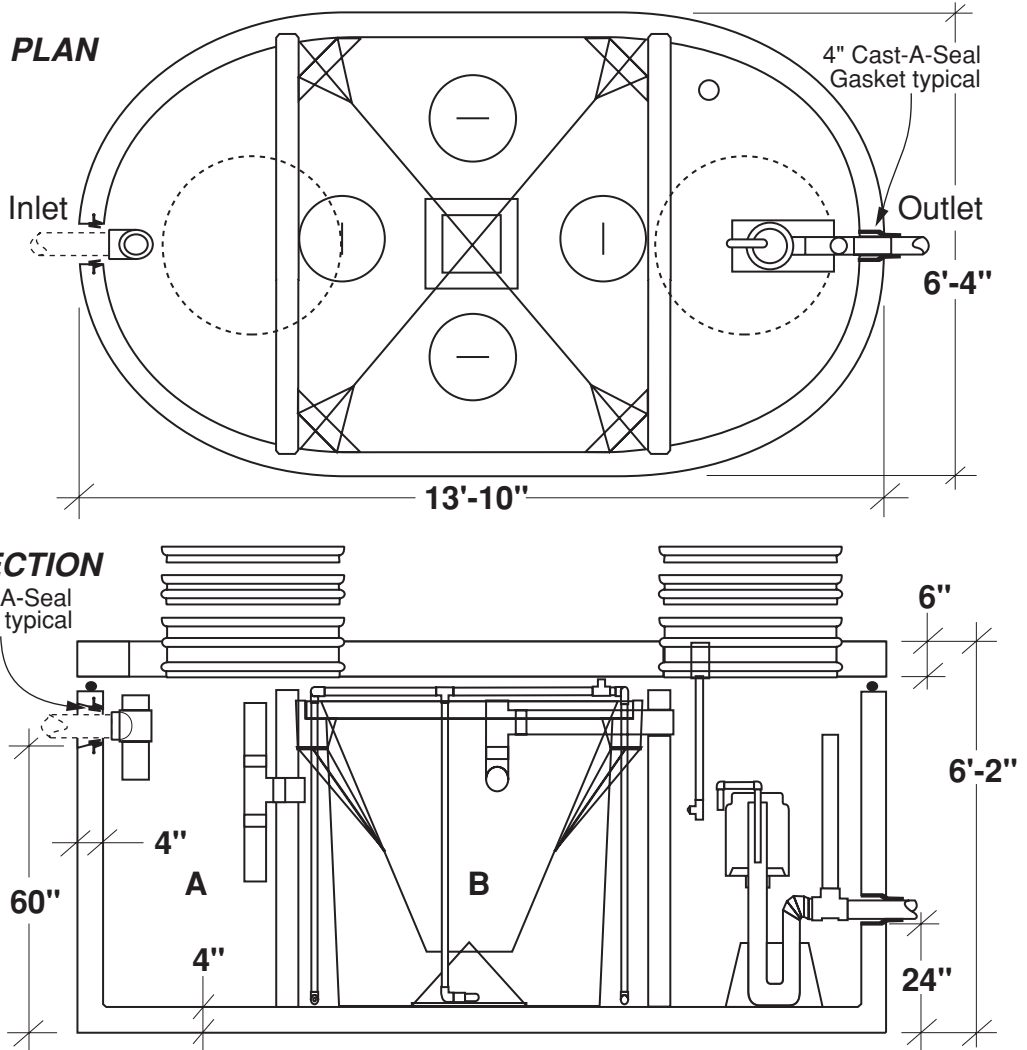
Colorado HOOT[®] 3 Bedroom Siphon

FLXX[®]

FLXX[®]

Total Capacity: 2300 gallons

- Monolithic tank meets ASTM-C-1227 Spec. for water and wastewater structures.
- Butyl rubber sealant meets Fed. Spec. SS-S-210A.
- See pages 35 - 41 for pumps and controls.
- Sensor tree
- Blower / Aerator
- #417 Siphon
- Optional remote monitoring system
- 2+ Years service
- 3 year parts warranty



* Includes 200 lbs. siphon / foundation

Part Number	Capacities (gallons)			Discharge Per Cycle (gallons)	Approximate Weights			
	A	B	Dosing Chamber		Tank*	Lid	Baffle Walls	Total
HCA-001-100	450	1120	730	220	12,090 lbs	5,165 lbs	2,880 lbs	20,135 lbs

Note: N.T.S.

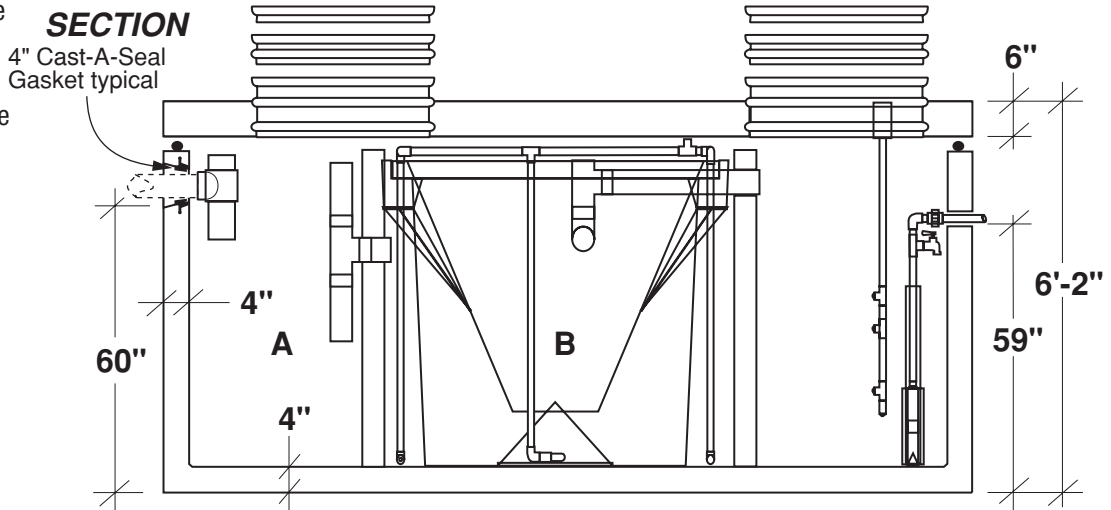
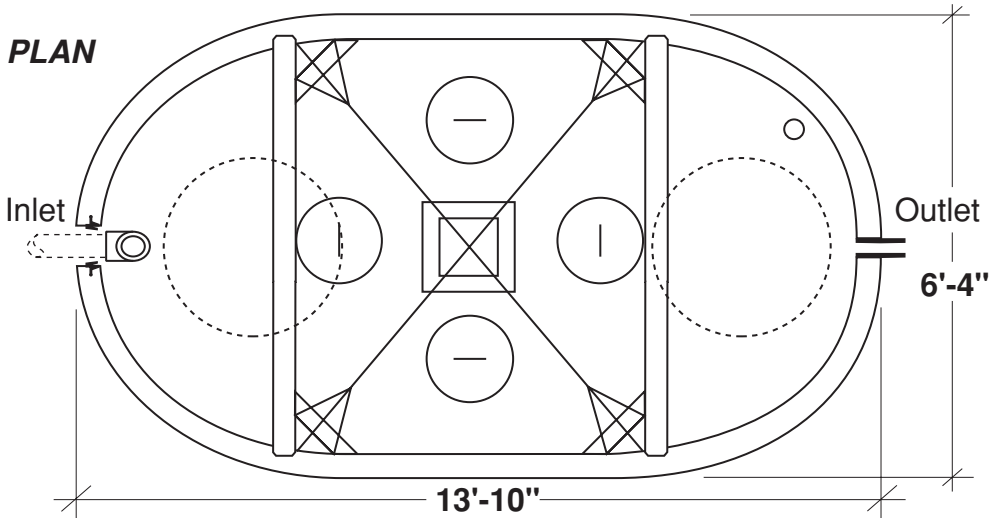
FLXX[®] 
Watertight
Front Range Precast Concrete, Inc.
 5901 Dexter Street, Unit 200, Commerce City, CO 80022
 Phone (303) 442-3207 • (800) 783-3207 • Fax (303) 442-3209
www.flxx.com

Colorado HOOT® 4 Bedroom Pumped

FLXX®

FLXX®

- Monolithic tank meets ASTM-C-1227 Spec. for water and wastewater structures.
- Butyl rubber sealant meets Fed. Spec. SS-S-210A.
- See pages 35 - 41 for pumps and controls.
- Sensor tree
- Blower / Aerator
- Blaster pump
- Optional remote monitoring system
- 2+ Years service
- 3 year parts warranty



Part Number	Capacities (gallons)			Discharge Per Cycle (gpm)	Approximate Weights			
	A	B	Lift Station Chamber		Tank	Lid	Baffle Walls	Total
HCA-0C0-201	575	1120	605	12-20	11,890 lbs	5,165 lbs	2,880 lbs	19,935 lbs

Note: N.T.S.

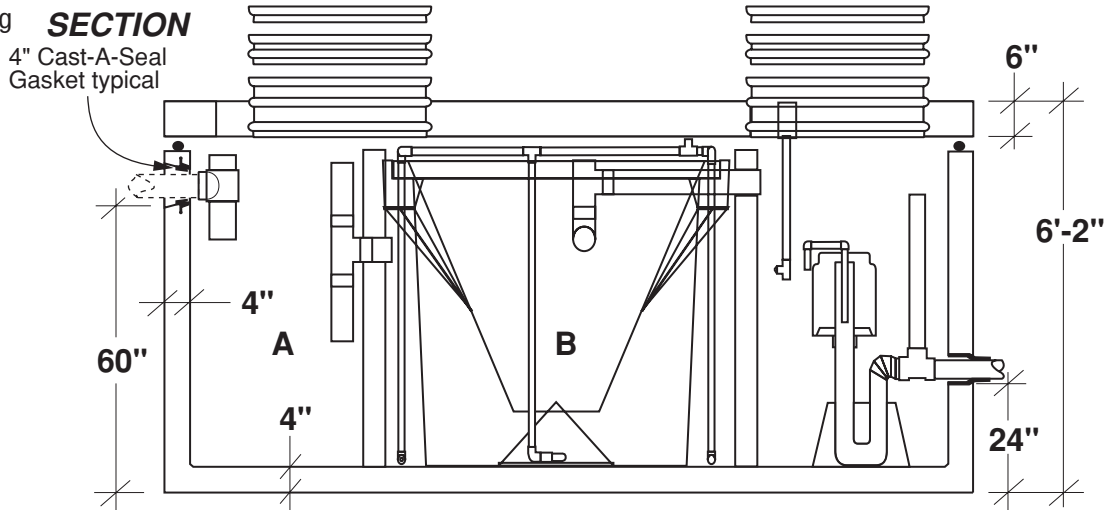
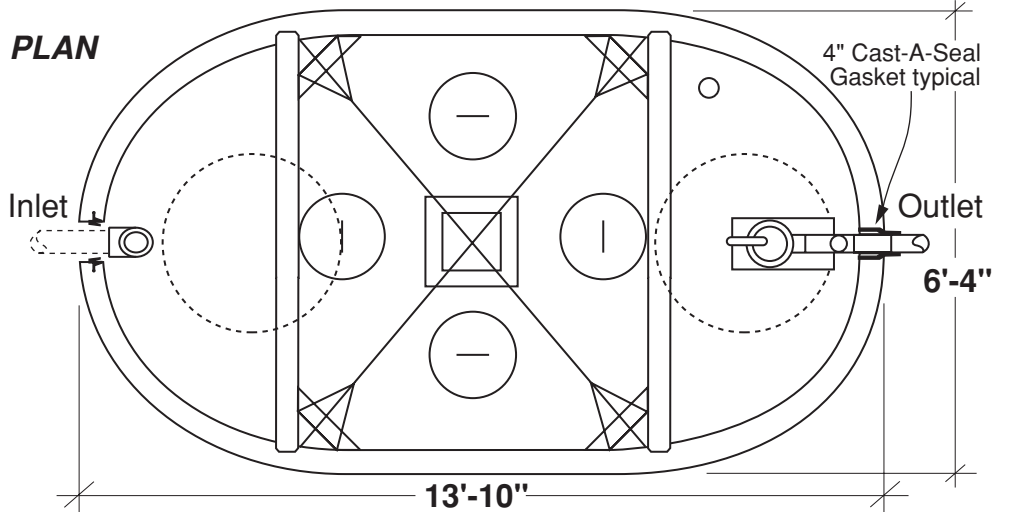
FLXX® 
Watertight
Front Range Precast Concrete, Inc.
 5901 Dexter Street, Unit 200, Commerce City, CO 80022
 Phone (303) 442-3207 • (800) 783-3207 • Fax (303) 442-3209
www.flxx.com

Colorado HOOT[®] 4 Bedroom Siphon

FLXX[®]

FLXX[®]

- Monolithic tank meets ASTM-C-1227 Spec. for water and wastewater structures.
- Butyl rubber sealant meets Fed. Spec. SS-S-210A.
- See pages 35 - 41 for pumps and controls.
- Sensor tree
- Blower / Aerator
- #417 Siphon
- Optional remote monitoring system
- 2+ Years service
- 3 year parts warranty



* Includes 200 lbs. siphon / foundation

Part Number	Capacities (gallons)			Discharge Per Cycle (gallons)	Approximate Weights			
	A	B	Dosing Chamber		Tank*	Lid	Baffle Walls	Total
HCA-001-105	575	1120	605	185	12,090 lbs	5,165 lbs	2,880 lbs	20,135 lbs

Note: N.T.S.

FLXX[®] 
Watertight

Front Range Precast Concrete, Inc.

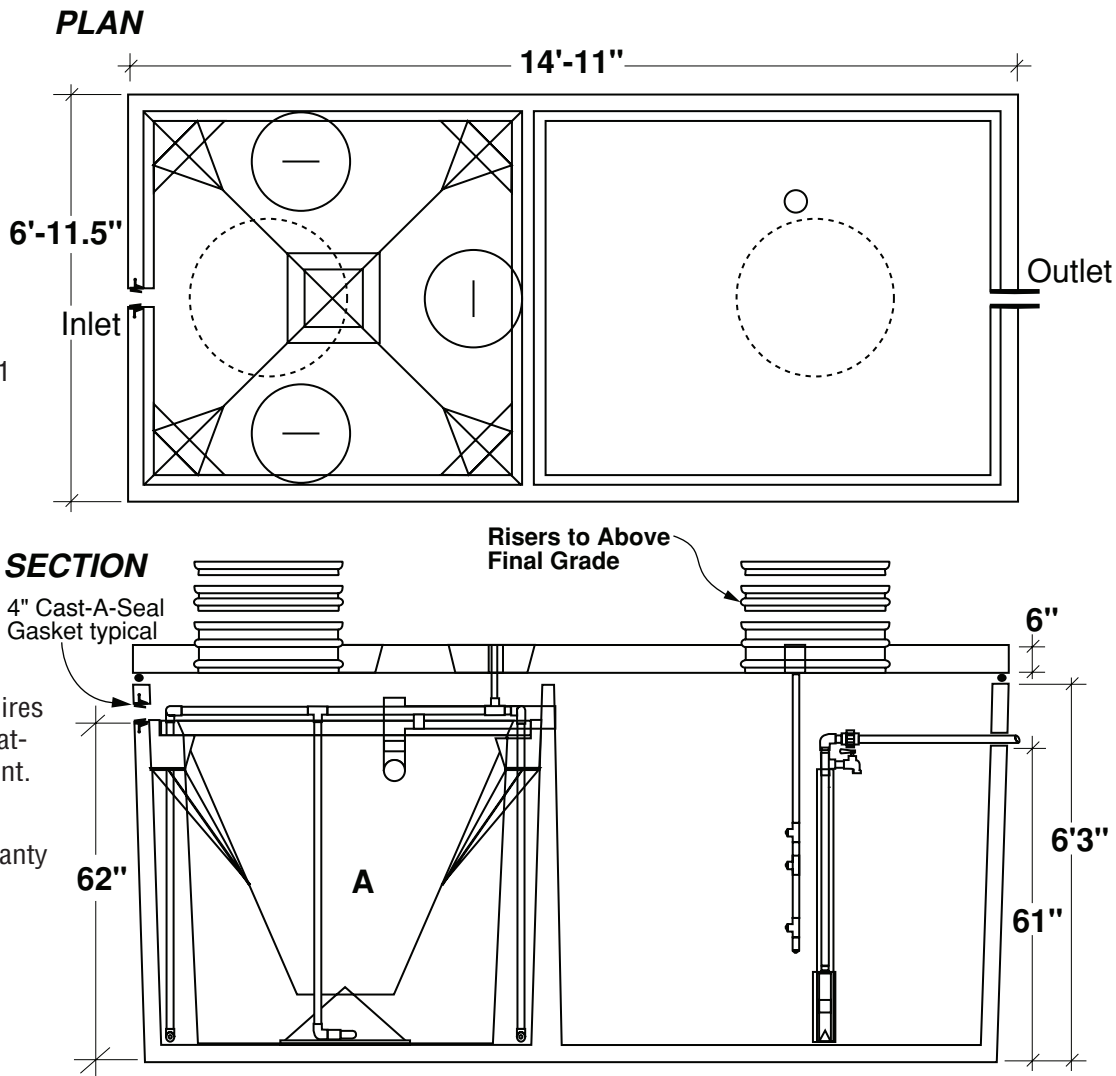
5901 Dexter Street, Unit 200, Commerce City, CO 80022
Phone (303) 442-3207 • (800) 783-3207 • Fax (303) 442-3209
www.flxx.com

Colorado HOOT® 5 Bedroom Pumped

FLXX®

FLXX®

- Monolithic tank meets ASTM-C-1227 Spec. for water and wastewater structures.
- Butyl rubber sealant meets Fed. Spec. SS-S-210A.
- See pages 35 - 41 for pumps and controls.
- Sensor tree
- Blower / Aerator
- Blaster pump
- Optional remote monitoring system
- This system requires a separate pretreatment compartment.
- 2+ Years service
- 3 year parts warranty



Part Number	Capacities (gallons)		Discharge Per Cycle (gpm)	Approximate Weights		
	A	Dosing Chamber		Tank /Baffle Walls	Lid	Total
HCA-000-202	1375	1700	12-20	14,075 lbs	6,405 lbs	20,480 lbs

Note: N.T.S.

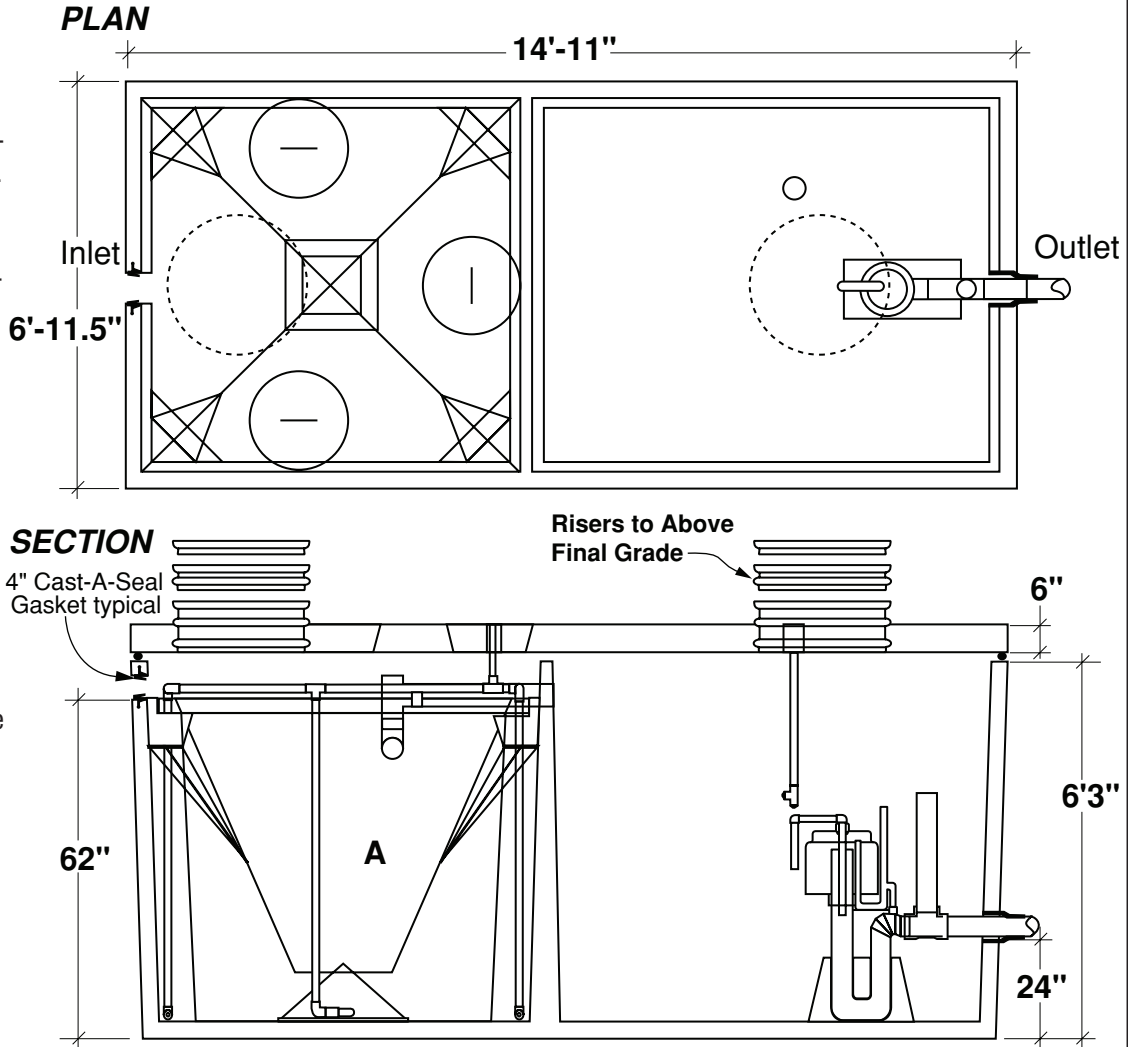
FLXX® 
Watertight
Front Range Precast Concrete, Inc.
 5901 Dexter Street, Unit 200, Commerce City, CO 80022
 Phone (303) 442-3207 • (800) 783-3207 • Fax (303) 442-3209
www.flxx.com

Colorado HOOT® 5 Bedroom Siphon

FLXX®

FLXX®

- Monolithic tank meets ASTM-C-1227 Spec. for water and waste-water structures.
- Butyl rubber sealant meets Fed. Spec. SS-S-210A.
- See pages 35 - 41 for pumps and controls.
- Sensor tree
- Blower / Aerator
- #417 Siphon
- Optional remote monitoring system
- This system requires a separate pretreatment compartment.
- 2+ Years service
- 3 year parts warranty



* Includes 200 lbs. siphon / foundation

Part Number	Capacities (gallons)		Discharge Per Cycle (gallons)	Approximate Weights		
	A	Dosing Chamber		Tank/Baffle Walls*	Lid	Total
HCA-000-XXX	1375	1700	510	14,275 lbs	6,405 lbs	20, 680 lbs

Note: N.T.S.

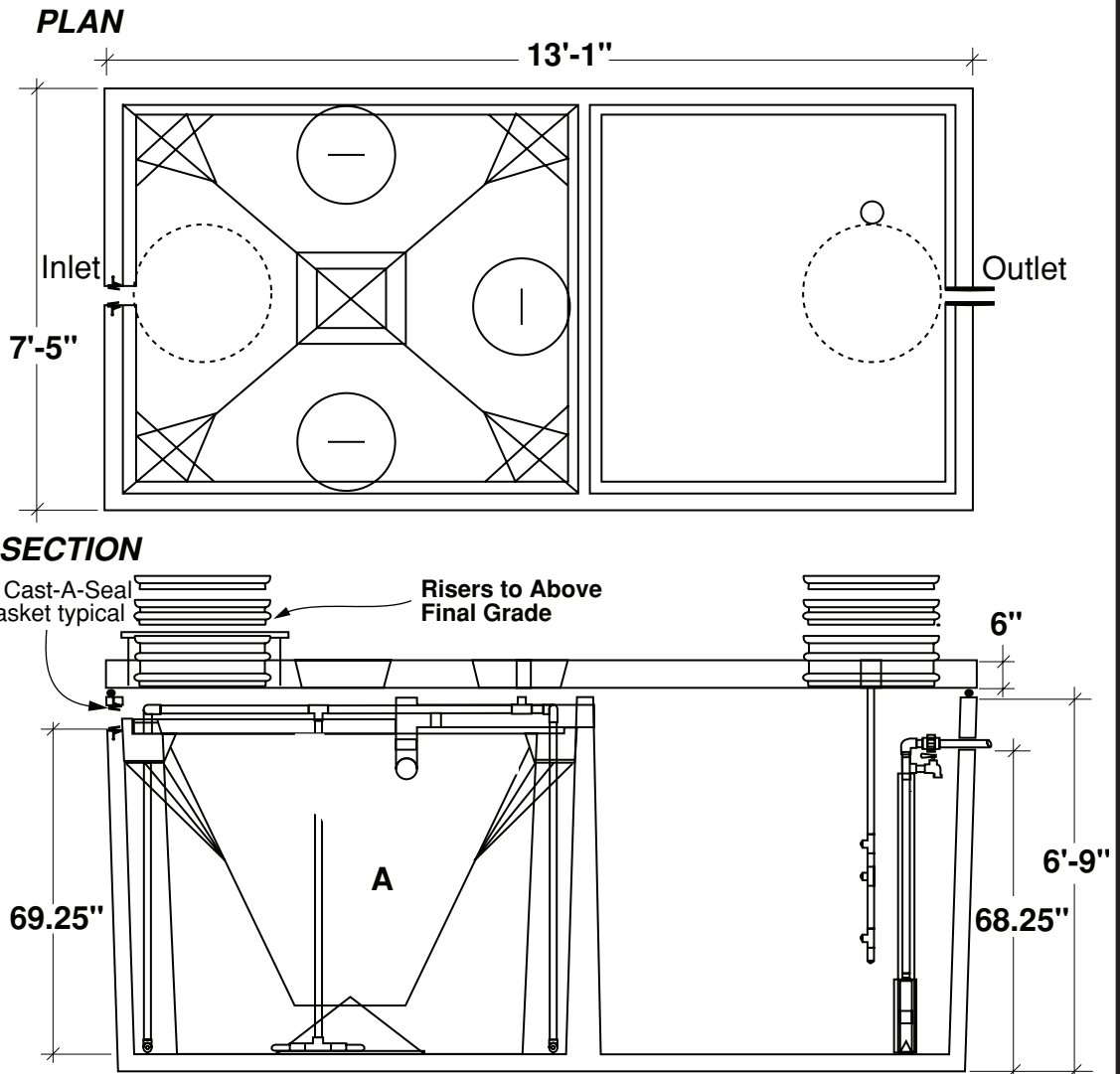
FLXX® 
Watertight
Front Range Precast Concrete, Inc.
 5901 Dexter Street, Unit 200, Commerce City, CO 80022
 Phone (303) 442-3207 • (800) 783-3207 • Fax (303) 442-3209
www.flxx.com

Colorado HOOT® 6 Bedroom Pumped

FLXX®

FLXX®

- Monolithic tank meets ASTM-C-1227 Spec. for water and wastewater structures.
- Butyl rubber sealant meets Fed. Spec. SS-S-210A.
- See pages 35 - 41 for pumps and controls.
- Sensor tree
- Blower / Aerator
- Blaster pump
- Optional remote monitoring system
- This system requires a separate pretreatment compartment.
- 2+ Years service
- 3 year parts warranty



Part Number	Capacities (gallons)		Discharge Per Cycle (gpm)	Approximate Weights		
	A	Dosing Chamber		Tank / Baffle Walls	Lid	Total
HCA-000-204	1840	1470	12-20	13,365 lbs	5,990 lbs	19,355 lbs

Note: N.T.S.

FLXX® 
Watertight
Front Range Precast Concrete, Inc.
 5901 Dexter Street, Unit 200, Commerce City, CO 80022
 Phone (303) 442-3207 • (800) 783-3207 • Fax (303) 442-3209
www.flxx.com

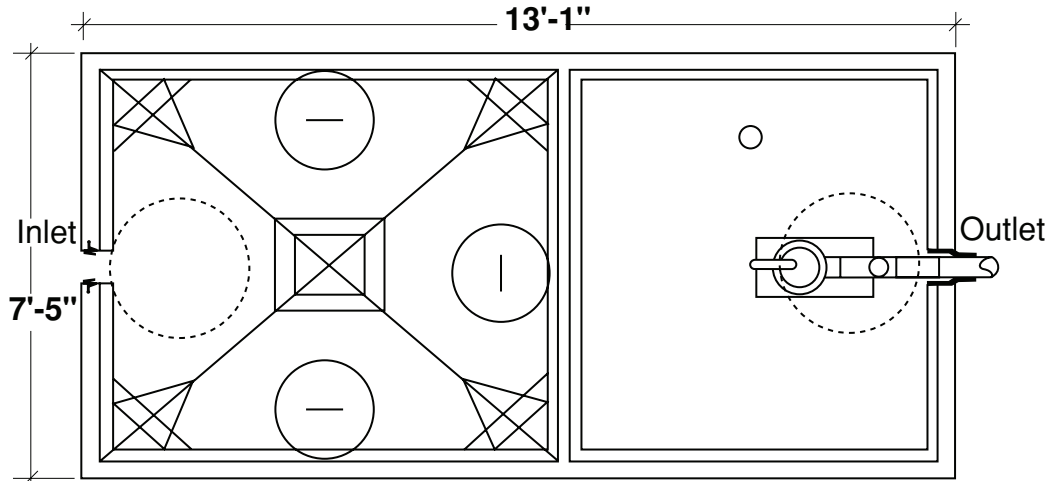
Colorado HOOT® 6 Bedroom Siphon

FLXX®

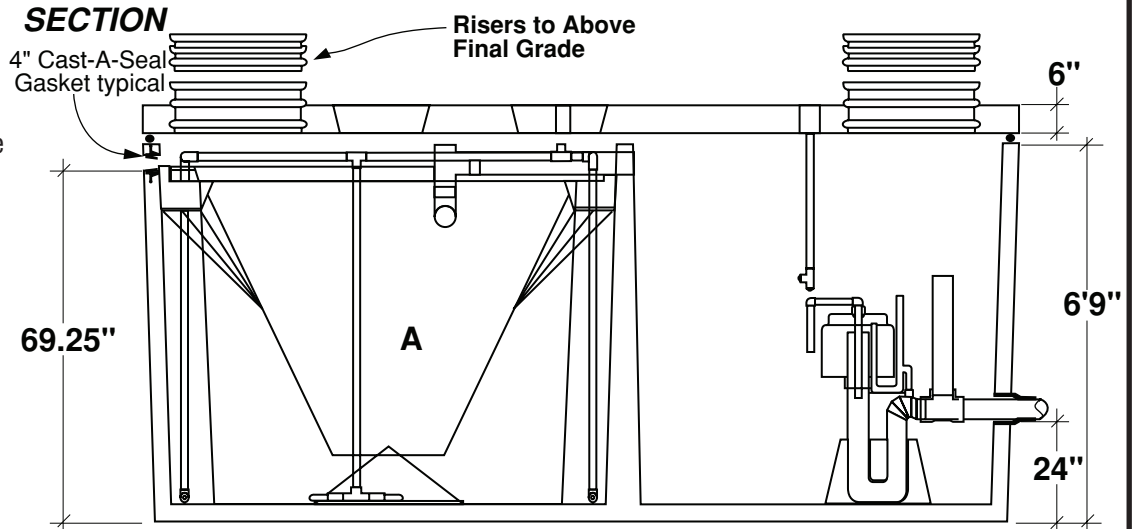
FLXX®

- Monolithic tank meets ASTM-C-1227 Spec. for water and waste-water structures.
- Butyl rubber sealant meets Fed. Spec. SS-S-210A.
- See pages 35 - 41 for pumps and controls.
- Sensor tree
- Blower / Aerator
- #417 Siphon
- Optional remote monitoring system
- This system requires a separate pretreatment compartment.
- 2+ Years service
- 3 year parts warranty

PLAN



SECTION



* Includes 200 lbs. siphon / foundation

Part Number	Capacities (gallons)		Discharge Per Cycle (gallons)	Approximate Weights		
	A	Dosing Chamber		Tank/ Baffle Walls*	Lid	Total
HCA-001-115	1840	1469	385	13,565 lbs	5,990 lbs	19,555 lbs

Note: N.T.S.

FLXX® 
Watertight
Front Range Precast Concrete, Inc.
 5901 Dexter Street, Unit 200, Commerce City, CO 80022
 Phone (303) 442-3207 • (800) 783-3207 • Fax (303) 442-3209
www.flxx.com