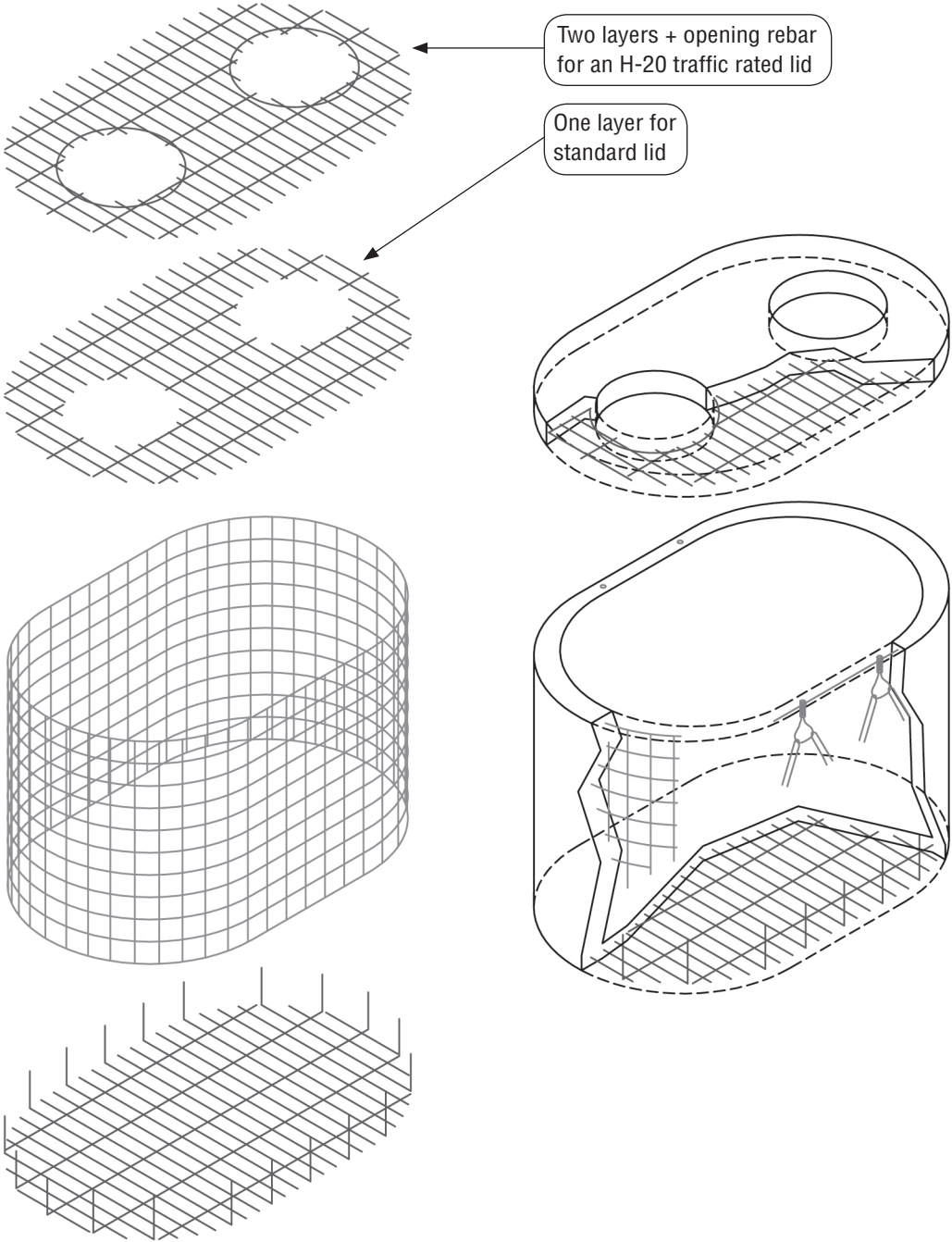


Typical Tank Reinforcement



FLXX® 
Watertight
Front Range Precast Concrete, Inc.
5439 N. Foothills Highway, Boulder, Colorado 80302
Phone (303) 442-3207 • (800) 783-3207 • Fax (303) 442-3209
www.flxx.com