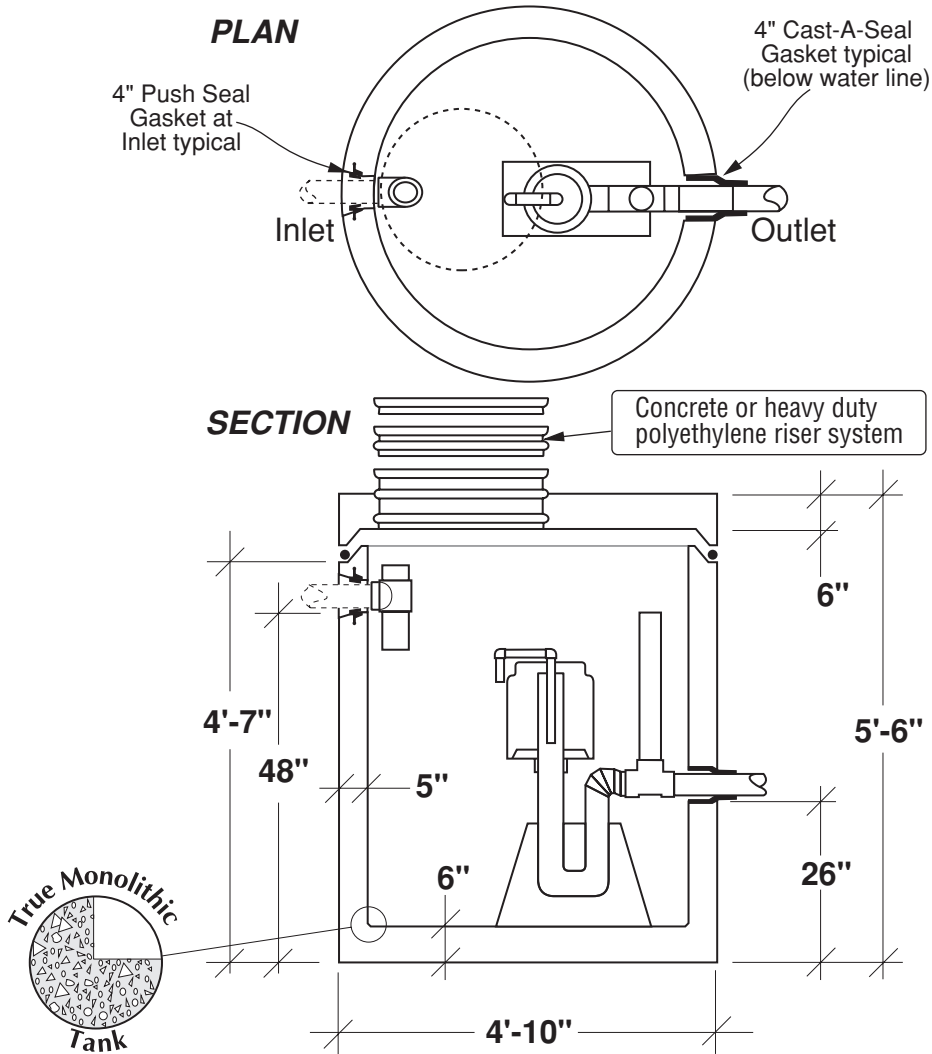


400 Gal. Single Auto Siphon Chamber

FLXX®

FLXX®

- Monolithic tank meets ASTM-C-1227 Spec. for water and wastewater structures.
- Butyl rubber sealant meets Fed. Spec. SS-S-210A. (Provided with tank)
- All plumbing shown in diagram is 4" SDR 35. (Provided with tank)



* Includes 200 lbs. siphon / foundation

Part #	Siphon / Discharge		Approximate Weights		
			Tank*	Lid	Total
PCA-000-280	#413	100 Gal.	5,050 lbs	1,520 lbs	6,570 lbs
PCA-001-280	#417	135 Gal.			

Note: N.T.S.

FLXX® 
Watertight
Front Range Precast Concrete, Inc.
 5439 N. Foothills Highway, Boulder, Colorado 80302
 Phone (303) 442-3207 • (800) 783-3207 • Fax (303) 442-3209
www.flxx.com