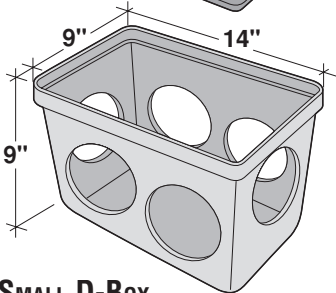
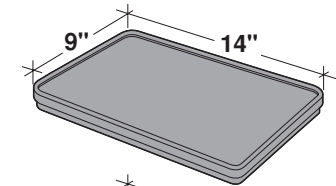


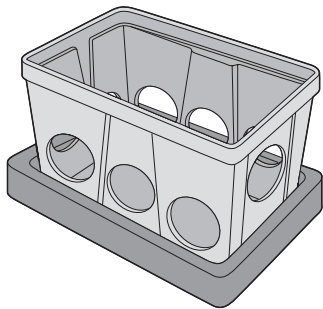


Distribution Boxes

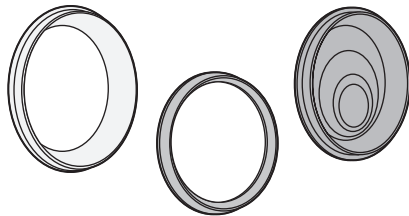
- Injection molded. Exceptionally strong.
- HDPE is non-corrosive in a septic environment.
- Patented snap-in pipe seals simplify installation.
- 2" Drop



SMALL D-Box
PART # PLA-000-010
1 inlet, 5 outlets



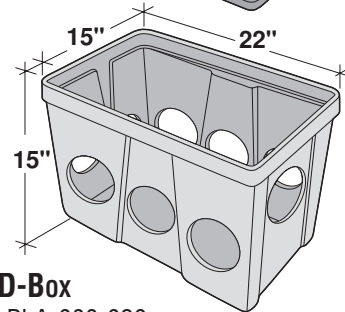
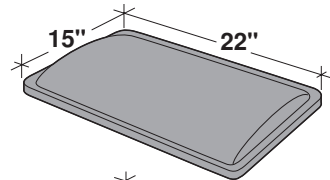
SMALL AND LARGE PLASTIC D-BOXES ARE AVAILABLE WITH A CONCRETE STABILIZATION/FLOTATION COLLAR
PART # PLA-000-040 and PLA-000-050
1 inlet, 8 outlets



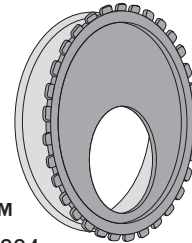
S-35, S-40, P-10 Box FITTINGS

Polyethylene seal for watertight connection between pipe and Tuf-Tite Box.

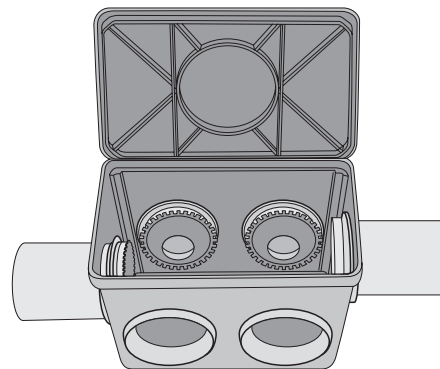
- **S-35:** Yellow Seal for thin wall pipe.
- **S-40:** Blue Seal for Sch. 40 pipe.
- **P-10:** Orange Plug for unused holes.



LARGE D-Box
PART # PLA-000-020
1 inlet, 8 outlets



SPEED LEVELERS™
PART # PLO-000-224



TYPICAL CONFIGURATION

They're patented. Simply insert your PVC pipe and push it through the flexible, polyethylene Tuf-Tite seal. Pipes fit watertight.

Installation couldn't be easier.