

## Polyethylene Siphon Chamber

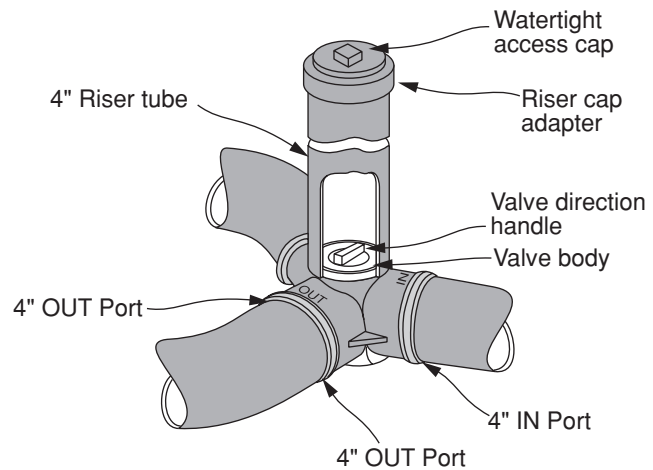
PLO-000-252

Contact your FRPC representative for pricing and availability.

Seamless 1/2" Thick Construction

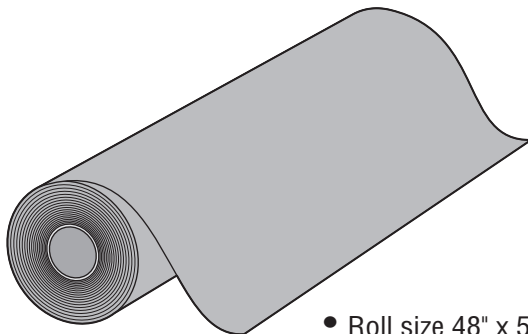
## Bull Run® Valve

PLO-000-216



## Geotextile Fabric

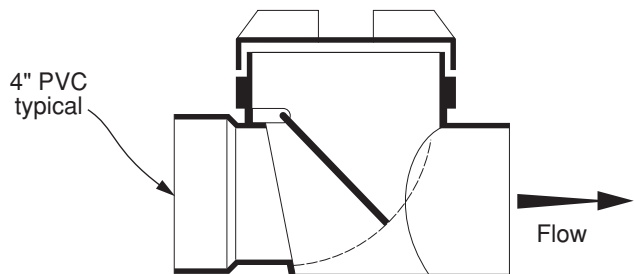
IFR-000-301



• Roll size 48" x 500 yds.

## Back Water Valve

PLO-000-217  
BACKWATERVALVE4"



Contact your FRPC representative for pricing and availability.

## Faux Rock Cover



**Do you have something to hide?**

Available in various sizes and colors.

Contact your Front Range Precast Concrete representative for pricing and availability.

