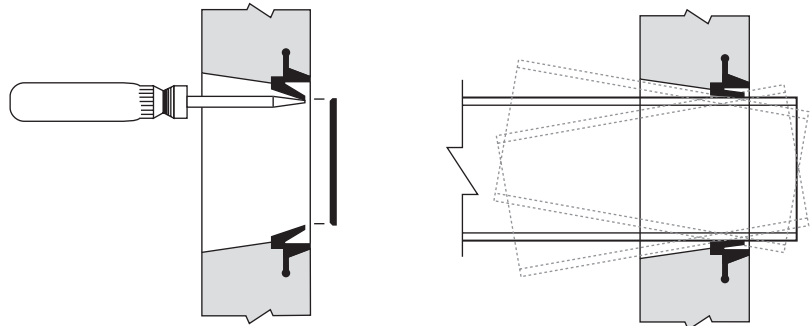


Push Seal Gasket

Standard on ALL Front Range Precast tanks and chambers

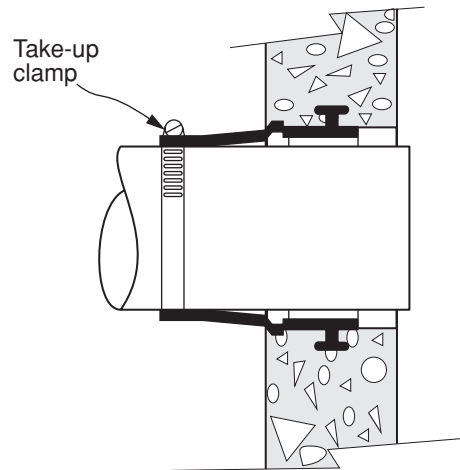
- Allows 3" or 4" pipe to be used
- No grouting required
- Accepts all standard pipe through SCH 40
- Watertight



Use a screwdriver to punch out the center of the gasket.

Cast-A-Seal Gasket

- Integrally cast in to concrete
- No beveling or lubricating pipe
- Meets and/or exceeds specifications of ASTM C-923
- Pipes in round or straight wall structures
- Sizes 1-1/2" to 8"



Note: N.T.S.

FLXX® 
Watertight
Front Range Precast Concrete, Inc.
5439 N. Foothills Highway, Boulder, Colorado 80302
Phone (303) 442-3207 • (800) 783-3207 • Fax (303) 442-3209
www.flxx.com