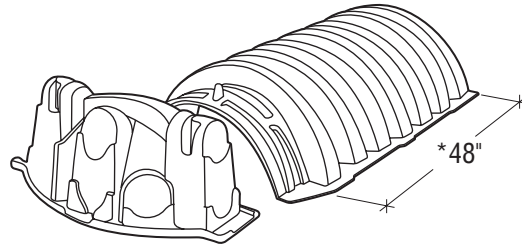


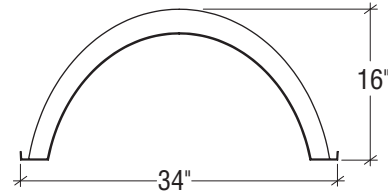
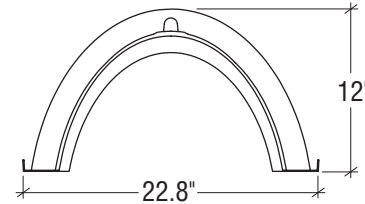
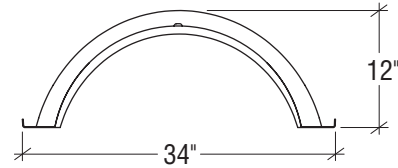
INFILTRATOR® SYSTEMS INC

Infiltrator Systems Inc. (ISI) is the world's leading manufacturer of plastic leach field drainage chambers for environmental onsite wastewater solutions. A direct replacement for stone and pipe leach fields, these chambers have revolutionized the septic industry. They provide cost-effective, efficient methods for handling residential and commercial wastewater.

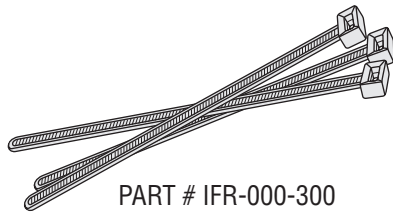
These systems are approved in all 50 states and all 10 Canadian provinces with up to a 50% smaller footprint as compared to stone and pipe systems. There are over 1.5 million Infiltrator systems installed and more than 27 million units in-ground in the U.S. and 24 other countries. Infiltrator systems have stood the test of time with a history of performance since 1987. Today, one in four septic systems in the U.S. is an Infiltrator chamber system.



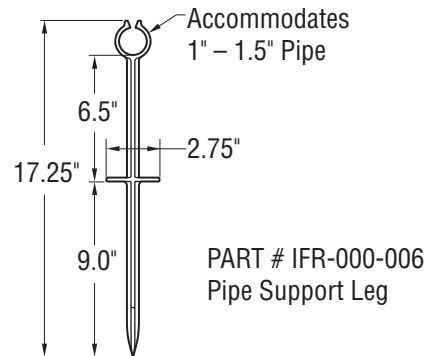
Part #	Description	Capacity
IFR-000-003	Quick 4 Standard Chamber* L52" x W34" x H12" 85 units per pallet	43.5g
IFR-000-302	Quick 4 Standard End Cap	9.16g
IFR-000-004	Quick 4 Equalizer 36 Chamber* L52" x W22" x H12" 170 units per pallet	32.17g
IFR-000-303	Quick 4 Equalizer 36 End Cap	5.57g
IFR-000-005	Quick 4 High Capacity Chamber* L52" x W34" x H16" 75 units per pallet	62.12g
IFR-000-305	Quick 4 High Capacity End Cap	14.41g



Accessories



PART # IFR-000-300
24" Chamber Pipe Hangers
(Sold in packs of 50)



PART # IFR-000-006
Pipe Support Leg

*Note: Effective length is 48" for all Infiltrator Chambers.

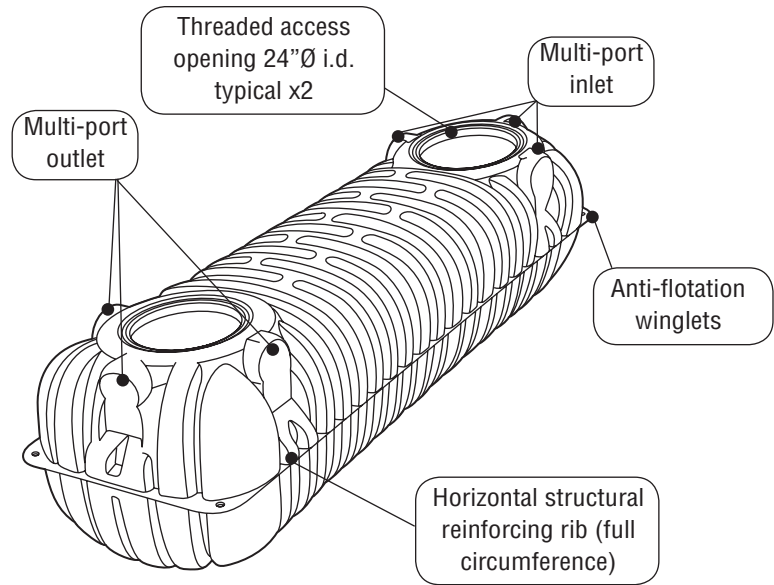


Roth Global Plastics, Inc.

Polyethylene Tanks

NOTES ON SEPTIC TANKS:

- Design capacity refers to the minimum volume held by the tank at the state required liquid level. All tanks actual volume meet or exceed design capacity.
- Absolutely no water required for backfill. Adding water may be detrimental to the installation.
- Tanks are designed for buried applications only in non-traffic installations.
- Plug covers may be substituted for threaded lids at no extra charge.



- Access at or above grade level must be secured against unauthorized access
- Not rated for vehicular traffic loading

Septic, Holding, and Pump Tanks

Model	Design Capacity US Gallons (Liters)	Total Capacity US Gallons (Liters)	Height	Width	Length	Weight Pounds	Part #
ST-500	500 (1983)	525 (1987)	51"	62"	60"	225	PLO-000-813
ST-750	750 (2840)	1007 (3812)	51"	62"	103"	360	PLO-000-801
ST-1060	1060 (4012)	1337 (5060)	51"	62"	133"	520	PLO-000-800
ST-1250	1250 (4730)	1464 (5541)	51"	62"	148"	560	PLO-000-805
ST-1500	1500 (5678)	1771 (6692)	51"	62"	177"	640	PLO-000-810

Cisterns for Potable Water

Model	Total Capacity US Gallons (Liters)	Height	Width	Length	Weight Pounds	Part #
PT-1007	1007 (3812)	51"	62"	103"	360	PLO-000-814
PT-1311	1311 (4962)	51"	62"	133"	520	PLO-000-815
PT-1768	1766 (6692)	51"	62"	177"	640	PLO-000-816

CISTERNS ARE DESIGNED FOR BELOW GROUND USE, AND ARE SOLD WITH THE FOLLOWING:

- Inner wall constructed with a resin that meets U.S. Food & Drug Administration specifications for potable water.
- Two (2) 24" diameter manholes, with two (2) Star System Threaded Lids (STAR-24L).

NSF 61 **CERTIFIED**



Front Range Precast Concrete, Inc.

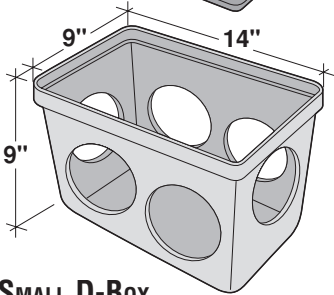
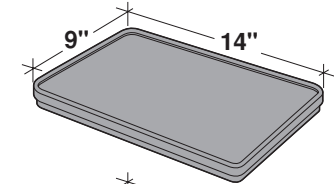
Phone (303) 442-3207 • (800) 783-3207 • Fax (303) 442-3209

www.flxx.com

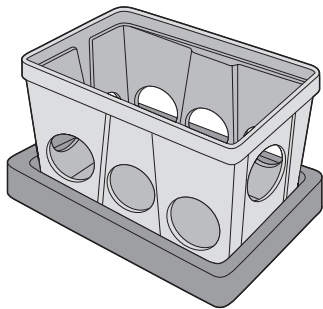


Distribution Boxes

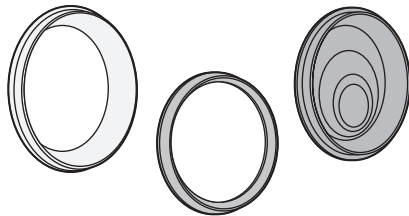
- Injection molded. Exceptionally strong.
- HDPE is non-corrosive in a septic environment.
- Patented snap-in pipe seals simplify installation.
- 2" Drop



SMALL D-Box
PART # PLA-000-010
1 inlet, 5 outlets



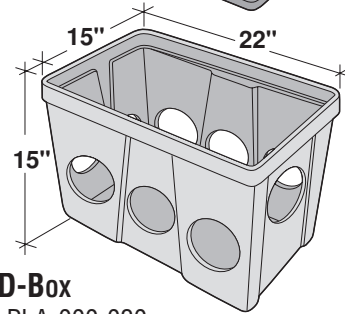
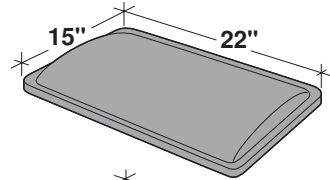
SMALL AND LARGE PLASTIC D-BOXES ARE AVAILABLE WITH A CONCRETE STABILIZATION/FLOTATION COLLAR
PART # PLA-000-040 and PLA-000-050
1 inlet, 8 outlets



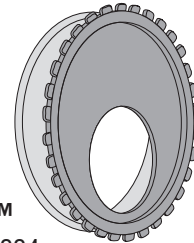
S-35, S-40, P-10 Box FITTINGS

Polyethylene seal for watertight connection between pipe and Tuf-Tite Box.

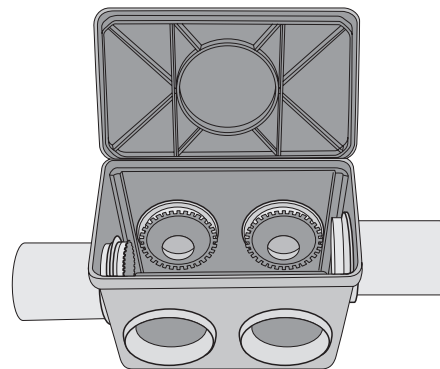
- **S-35:** Yellow Seal for thin wall pipe.
- **S-40:** Blue Seal for Sch. 40 pipe.
- **P-10:** Orange Plug for unused holes.



LARGE D-Box
PART # PLA-000-020
1 inlet, 8 outlets



SPEED LEVELERS™
PART # PLO-000-224



TYPICAL CONFIGURATION

They're patented. Simply insert your PVC pipe and push it through the flexible, polyethylene Tuf-Tite seal. Pipes fit watertight.

Installation couldn't be easier.

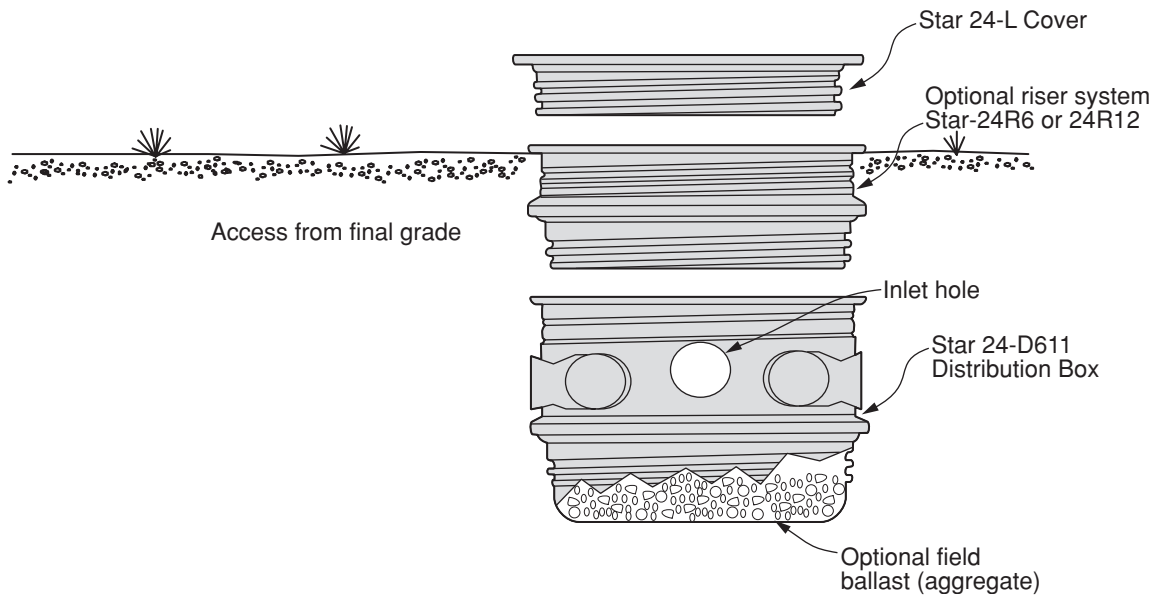


Roth Global Plastics, Inc.

Monster D-Box



- 12-hole d-box.
- Quick and easy pipe seals.
- Invert drop of 2" between inlet and outlets.
- Basin can be weighted to maintain level.
- Can be elevated to grade with FRALO risers.
- Includes 24" threaded poly lid.



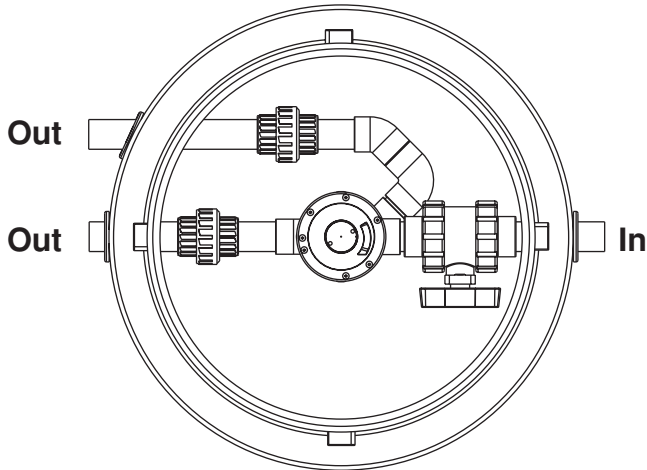
Front Range Precast Concrete, Inc.

Phone (303) 442-3207 • (800) 783-3207 • Fax (303) 442-3209

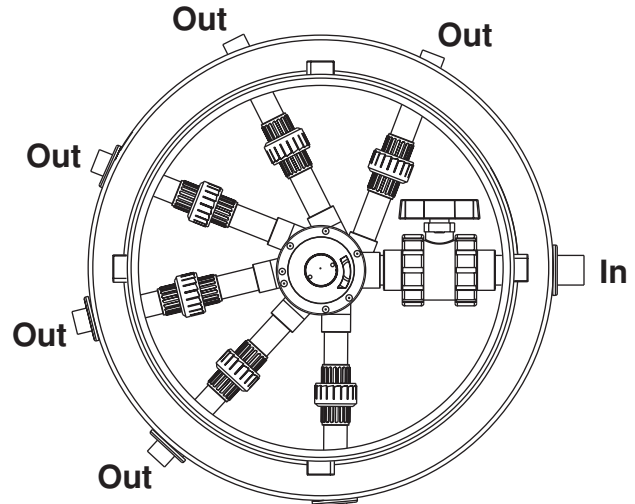


Pressure Distribution Valve Assembly

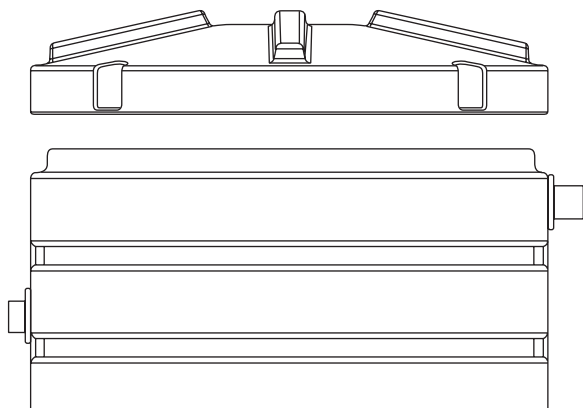
Two to Six Zones



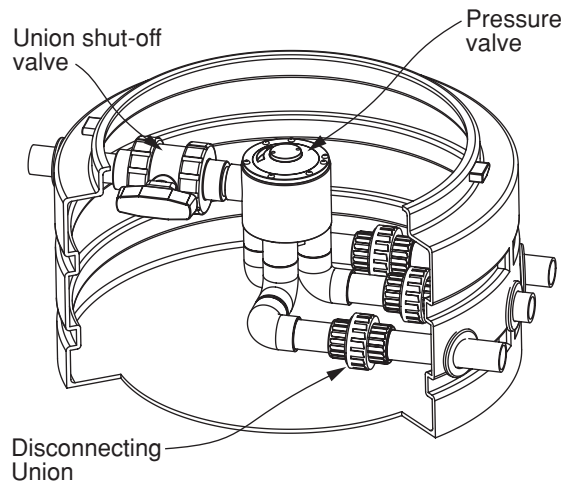
TWO ZONE



SIX ZONE



ELEVATION VIEW WITH LID

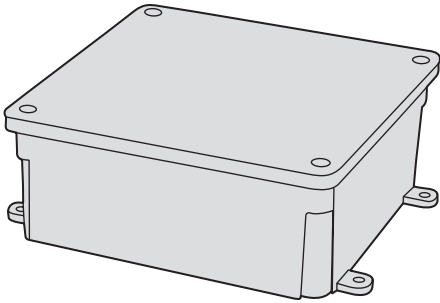


THREE ZONE

Contact your FRPC representative for pricing and availability.

NEMA 4X Junction Box

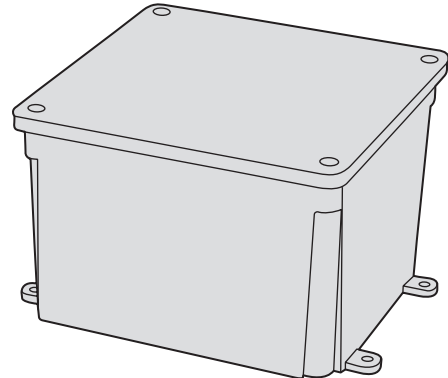
PLO-000-254



4" x 4" x 2"

NEMA 4X Junction Box

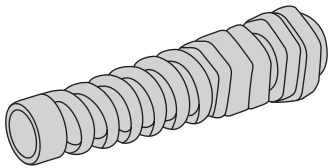
PLO-000-277



4" x 4" x 4"

Nylon Liquid-Tight Cord Grip

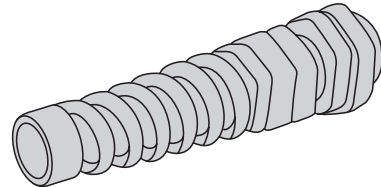
PMP-000-111



Wire size .24" - .47"

Nylon Liquid-Tight Cord Grip

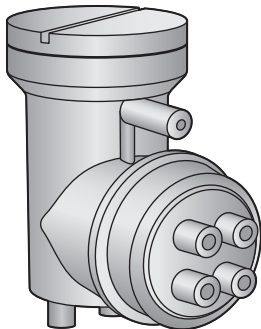
PMP-000-143



Wire size .39" - .56"

NEMA 4X Splice Box

PLO-000-402



Watertight external splice box

www.flxx.com



Poly riser with Orenco electrical splice box.

Polyethylene Siphon Chamber

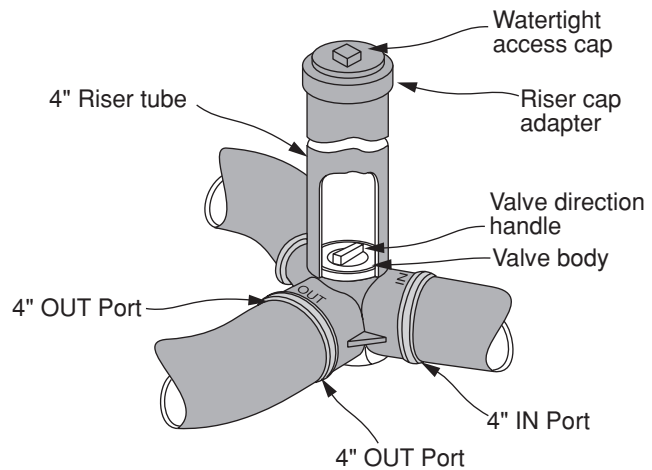
PLO-000-252

Contact your FRPC representative for pricing and availability.

Seamless 1/2" Thick Construction

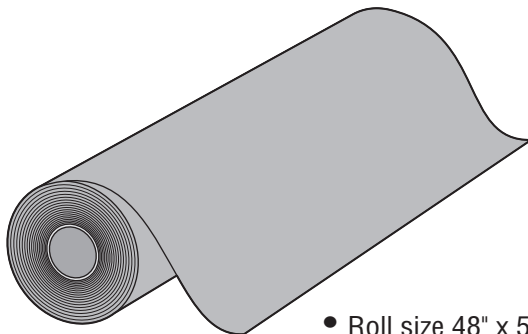
Bull Run® Valve

PLO-000-216



Geotextile Fabric

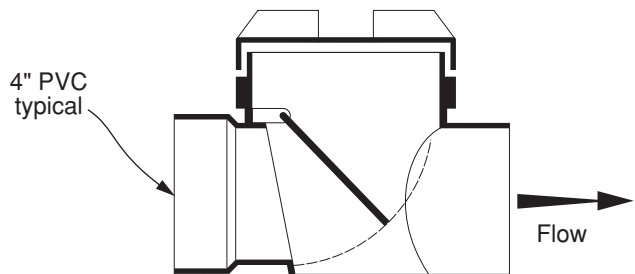
IFR-000-301



• Roll size 48" x 500 yds.

Back Water Valve

PLO-000-217
BACKWATERVALVE4"



Contact your FRPC representative for pricing and availability.

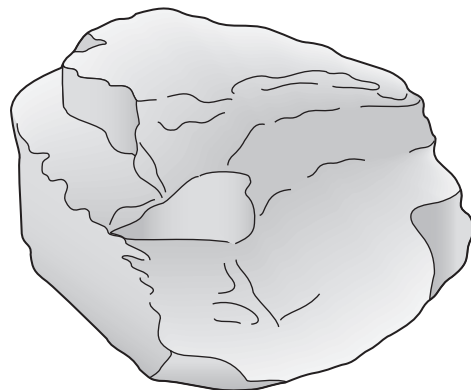
Faux Rock Cover



Do you have something to hide?

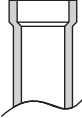
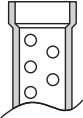
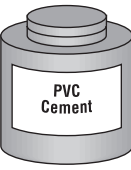
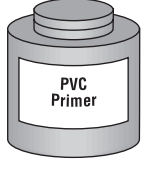
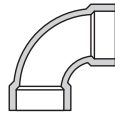



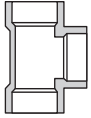
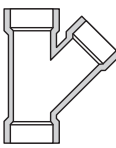
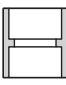
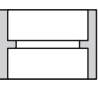
Available in various sizes and colors.

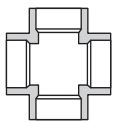


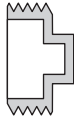
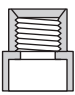
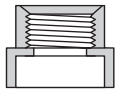
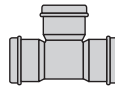
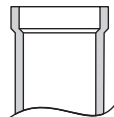
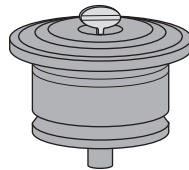
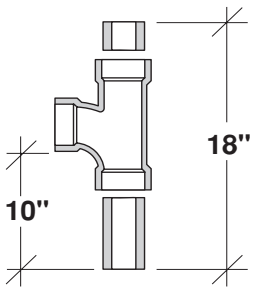
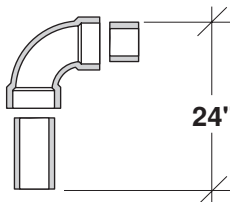
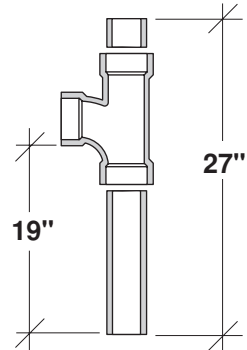
Contact your Front Range Precast Concrete representative for pricing and availability.



Plastic Pipe and Fittings

(Available in SDR-35 and SCH-40)

<p>PART # PLO-000-197 PVCPIPE4"BELLEND10'0"</p>  <p>PVC pipe - Standard 4" belled ends 10' lengths Medium wall ASTM-3034</p>	<p>PART # PLO-000-198 PVCPERFPIPE4"BELLEND10'0"</p>  <p>PVC pipe - Perforated 4" belled ends 10' lengths Light wall ASTM-2729</p>	<p>PART # PLO-000-199 PVCCEMENTCLEARQT</p> 
<p>PART # PLO-000-811 PVCPRIMERCLEARQT</p> 	<p>PART # PLO-000-200 PVC90°x4"</p>  <p>90° Bend 4"</p>	<p>PART # PLO-000-201 PVC45°x4"</p>  <p>45° Bend 4"</p>
<p>PART # PLO-000-202 PVC22.5°x4"</p>  <p>22.5° Bend 4"</p>	<p>PART # PLO-000-203 PVCSANTEE4"</p>  <p>4"</p>	<p>PART # PLO-000-204 PVCTEE(COMMON)x4"</p>  <p>4"</p>
<p>PART # PLO-000-205 PVCWYEx4"</p>  <p>4"</p>	<p>PART # PLO-000-206 PVCCOUPLINGx4"</p>  <p>4"</p>	<p>PART # PLO-000-207 PVCCOUPLINGx6"</p>  <p>6"</p>

<p>PART # PLO-000-208 PVCCROSSx4"</p>  <p>4"</p>	<p>PART # PLO-000-209 PVCCAPx4"</p>  <p>4"</p>	<p>PART # PLO-000-210 PVCTHREADED CAPx4"</p>  <p>4"</p>
<p>PART # PLO-000-211 PVCTHREADED CAPx6"</p>  <p>6"</p>	<p>PART # PLO-000-212 PVCSCREW ADAPTERx4"</p>  <p>4"</p>	<p>PART # PLO-000-213 PVCSCREW ADAPTERx6"</p>  <p>6"</p>
<p>PART # PLO-000-214 PVC GASKET SDR-35 TEE x4"</p>  <p>4"</p>	<p>PART # PLO-000-215 PVC PIPE 6" BELLED ENDS 10' 0"</p>  <p>PVC Pipe - Standard 6" belled ends 10' lengths Medium wall ASTM-3034</p>	<p>PART # PLO-000-229 4" THUMB BOLT REAL-TITE PLUG</p>  <ul style="list-style-type: none"> • PVC • Neoprene construction • Stainless thumbscrew
<p>PART # PLA-000-230 INLET TEE 4 PVC ASSY</p>  <p>10" 18"</p>	<p>PART # PLA-000-231 BAFFLE LEL PVC ASSY</p>  <p>24"</p>	<p>PART # PLA-000-232 OUTLET TEE 4 PVC ASSY</p>  <p>19" 27"</p>