

1250 Gal. Three Compartment Single Auto Siphon Septic Tank

FLXX®

FLXX®

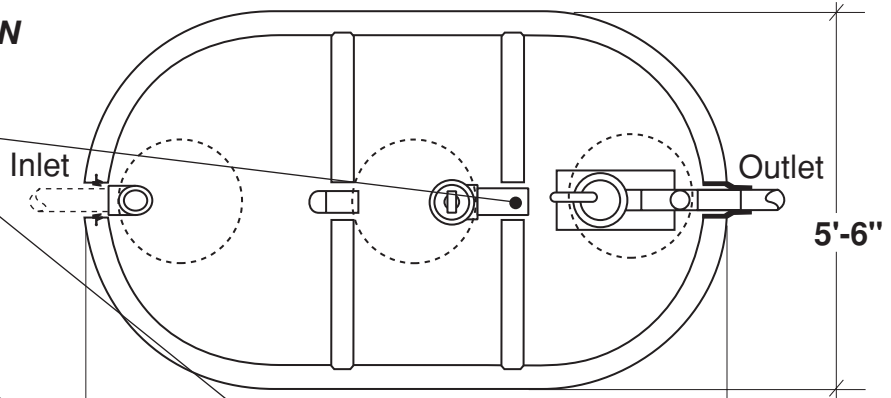
Total Capacity: 1390 gallons

PLAN

Sealed baffle wall.
Install effluent filter
at this location.

Filter monitor: Optional
liquid level alarm box,
float control switch
with bracket and J-box.
Connections to electrical
source by others.

Concrete or heavy
duty polyethylene
riser system

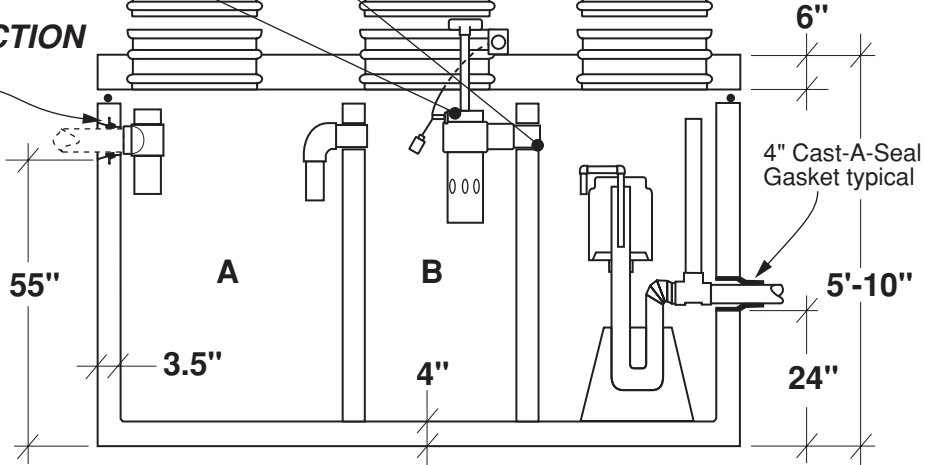


SECTION

4" Cast-A-Seal
Gasket typical

4" Cast-A-Seal
Gasket typical

- Monolithic tank meets ASTM-C-1227 Spec. for water and wastewater structures.
- Butyl rubber sealant meets Fed. Spec. SS-S-210A. (Provided with tank)
- All plumbing shown in diagram is 4" SDR 35. (Provided with tank)



* Includes 200 lbs. siphon / foundation

Part #	Capacities (gallons)		Siphon Chamber (gallons)	Siphon / Discharge		Approximate Weights			
	A	B		Tank*	Lid	Baffle Walls	Total		
PCA-000-262	640	420	330	#413	85 Gal.	8,630 lbs	3,370 lbs	1,820 lbs	13,820 lbs
PCA-001-262				#417	110 Gal.				

Note: N.T.S.

FLXX® 
Watertight

Front Range Precast Concrete, Inc.

5901 Dexter Street, Unit 200, Commerce City, CO 80022
Phone (303) 442-3207 • (800) 783-3207 • Fax (303) 442-3209
www.flxx.com

FLXX®

1500 Gal. Three Compartment Single Auto Siphon Septic Tank

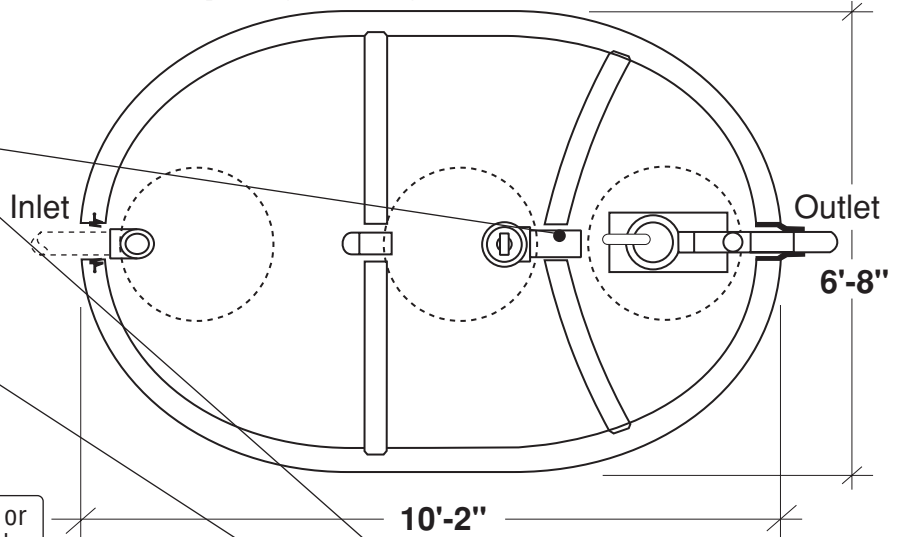
2.0
FLXX®

Total Capacity: 1535 gallons

PLAN

Sealed baffle wall.
Install effluent filter
at this location.

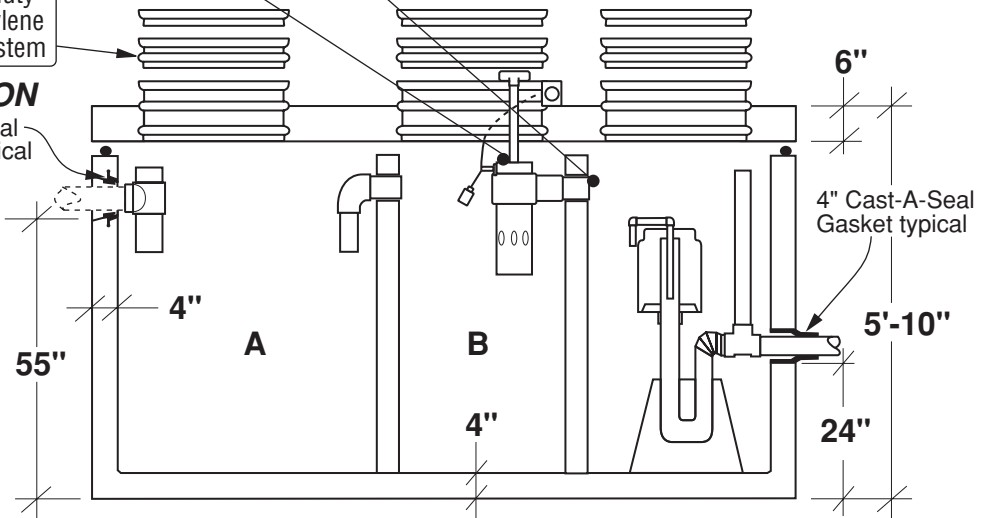
Filter monitor: Optional
liquid level alarm box,
float control switch with
bracket and J-box.
Connections to electrical
source by others.



Concrete or
heavy duty
polyethylene
riser system

SECTION

4" Cast-A-Seal
Gasket typical



- Monolithic tank meets ASTM-C-1227 Spec. for water and wastewater structures.
- Butyl rubber sealant meets Fed. Spec. SS-S-210A. (Provided with tank)
- All plumbing shown in diagram is 4" SDR 35. (Provided with tank)

Part #	Capacities (gallons)		Siphon Chamber (gallons)	Siphon / Discharge		Approximate Weights			
	A	B		Tank*	Lid	Baffle Walls	Total		
PCA-000-263	675	450	410	#413	115 Gal.	9,815 lbs	3,900 lbs	2,220 lbs	15,935 lbs
PCA-001-263				#417	150 Gal.				

Note: N.T.S.

* Includes 200 lbs. siphon / foundation



Watertight

Front Range Precast Concrete, Inc.

5901 Dexter Street, Unit 200, Commerce City, CO 80022
Phone (303) 442-3207 • (800) 783-3207 • Fax (303) 442-3209
www.flxx.com

2000 Gal. Three Compartment Single Auto Siphon Septic Tank

FLXX®

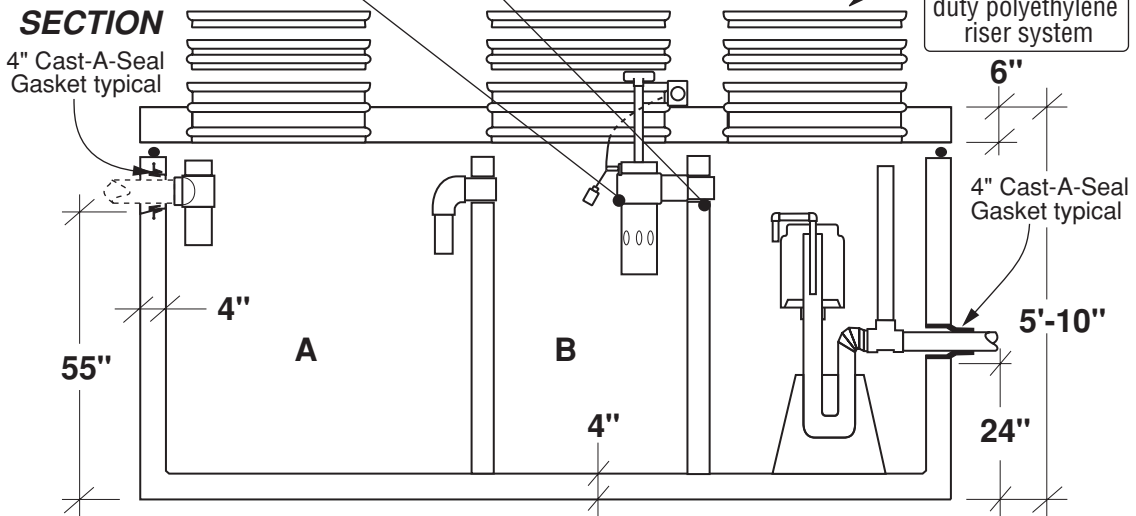
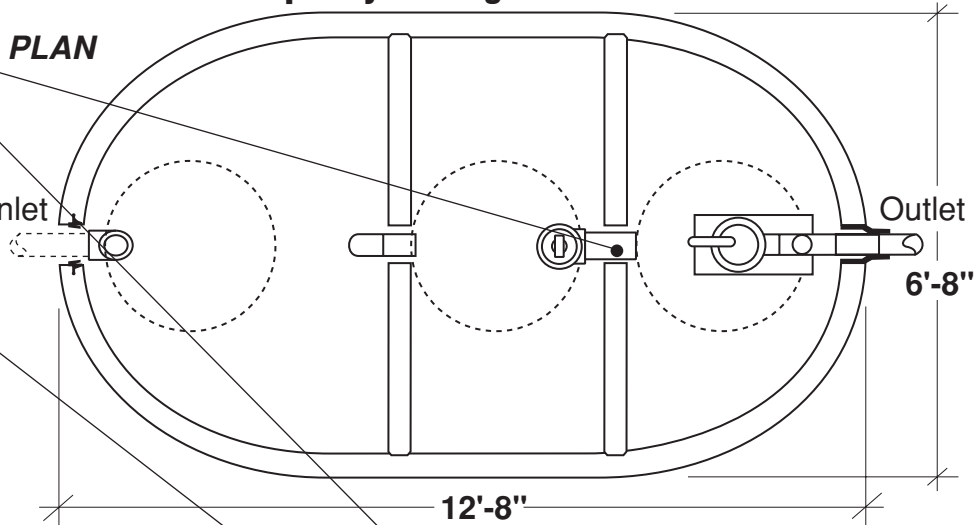
FLXX®

Total Capacity: 2000 gallons

Sealed baffle wall. Install effluent filter at this location.

Filter monitor: Optional liquid level alarm box, float control switch with bracket and J-box. Connections to electrical source by others.

- Monolithic tank meets ASTM-C-1227 Spec. for water and wastewater structures.
- Butyl rubber sealant meets Fed. Spec. SS-S-210A. (Provided with tank)
- All plumbing shown in diagram is 4" SDR 35. (Provided with tank)



Part #	Capacities (gallons)		Siphon Chamber (gallons)	Siphon / Discharge		Approximate Weights			
	A	B				Tank*	Lid	Baffle Walls	Total
PCA-000-265	1,000	500	500	#413	130 Gal.	11,890 lbs	5,145 lbs	2,220 lbs	19,255 lbs
PCA-001-265				#417	170 Gal.				

Note: N.T.S.

* Includes 200 lbs. siphon / foundation

FLXX® 
Watertight
Front Range Precast Concrete, Inc.
 5901 Dexter Street, Unit 200, Commerce City, CO 80022
 Phone (303) 442-3207 • (800) 783-3207 • Fax (303) 442-3209
www.flxx.com

2500 Gal. Three Compartment Single Auto Siphon Septic Tank

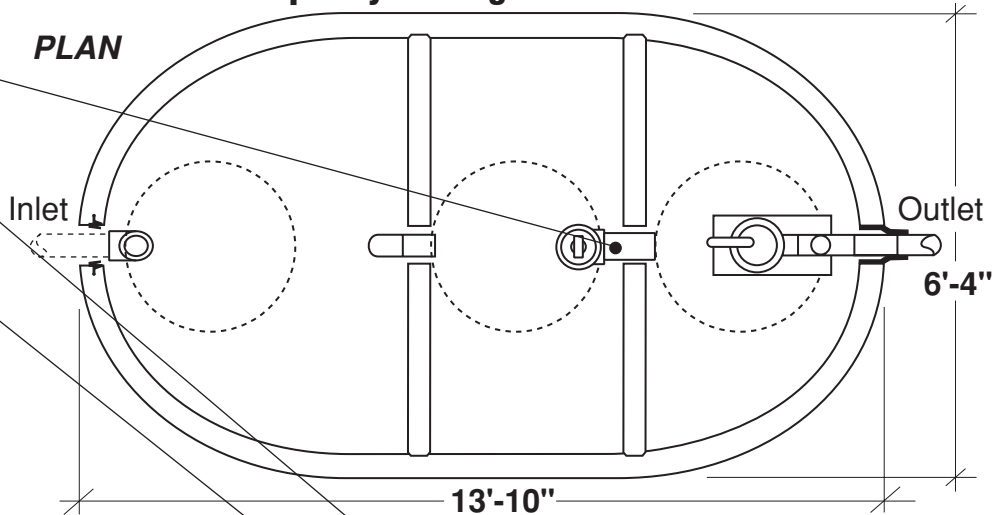
FLXX®

FLXX®

Total Capacity: 2450 gallons

Sealed baffle wall. Install effluent filter at this location.

PLAN

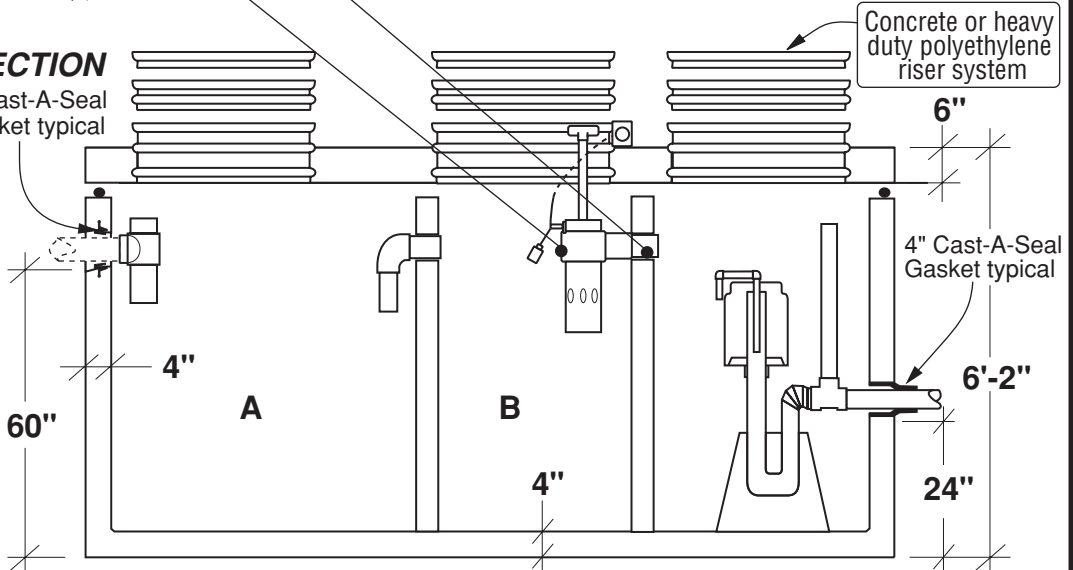


Filter monitor: Optional liquid level alarm box, float control switch with bracket and J-box. Connections to electrical source by others.

- Monolithic tank meets ASTM-C-1227 Spec. for water and wastewater structures.
- Butyl rubber sealant meets Fed. Spec. SS-S-210A. (Provided with tank)
- All plumbing shown in diagram is 4" SDR 35. (Provided with tank)

SECTION

4" Cast-A-Seal Gasket typical



Concrete or heavy duty polyethylene riser system

6"

4" Cast-A-Seal Gasket typical

6'-2"

24"

Part #	Capacities (gallons)		Siphon Chamber (gallons)	Siphon / Discharge		Approximate Weights			
	A	B		Tank*	Lid	Baffle Walls	Total		
PCA-000-353	1,145	780	525	#413	135 Gal.	11,890 lbs	5,160 lbs	2,300 lbs	19,350 lbs
PCA-001-353				#417	180 Gal.				

Note: N.T.S.

* Includes 200 lbs. siphon / foundation

FLXX®  **Watertight**

Front Range Precast Concrete, Inc.

5901 Dexter Street, Unit 200, Commerce City, CO 80022
 Phone (303) 442-3207 • (800) 783-3207 • Fax (303) 442-3209
www.flxx.com

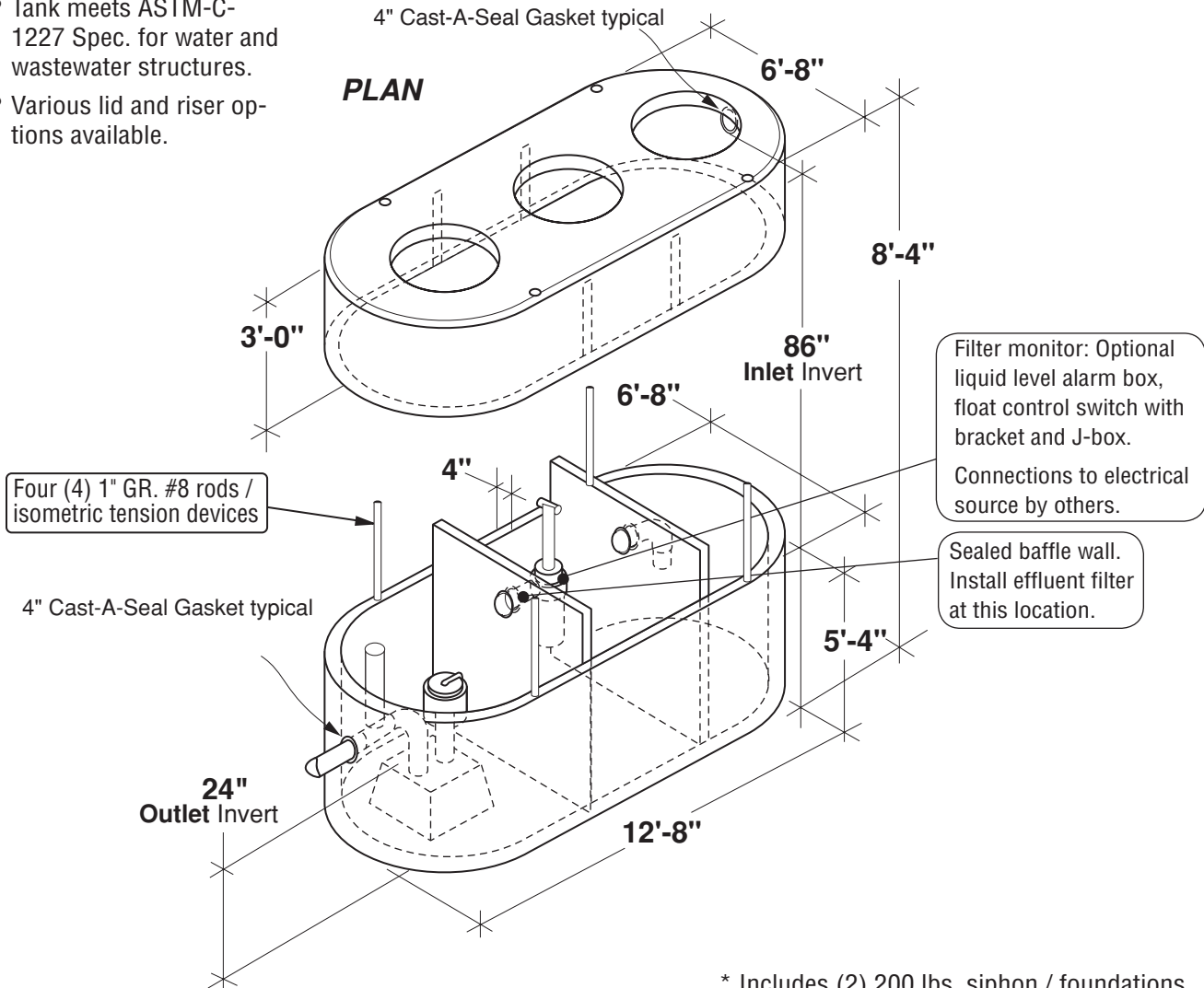
3250 Gal. Three Compartment Single Auto Siphon Septic Tank

FLXX®

FLXX®

Total Capacity: 3365 gallons

- Tank meets ASTM-C-1227 Spec. for water and wastewater structures.
- Various lid and riser options available.



* Includes (2) 200 lbs. siphon / foundations

Part #	Capacities (gallons)		Siphon Chamber (gallons)	Siphon / Discharge		Approximate Weights			
	A	B				Tank*	Lid	Baffle Walls	Total
PCA-001-293	1,685	815	865	#417	240 Gal.	11,890 lbs	7,715 lbs	3,180 lbs	22,785 lbs

Note: N.T.S.

FLXX® 
Watertight
Front Range Precast Concrete, Inc.
 5901 Dexter Street, Unit 200, Commerce City, CO 80022
 Phone (303) 442-3207 • (800) 783-3207 • Fax (303) 442-3209
www.flxx.com