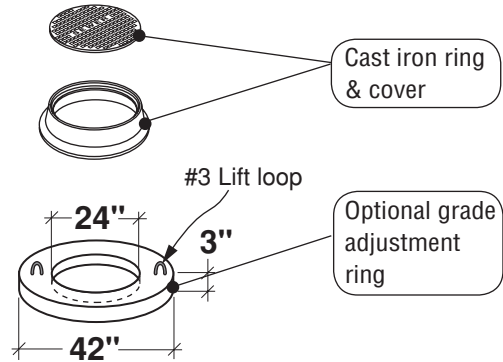


400 Gal. Grease Interceptor

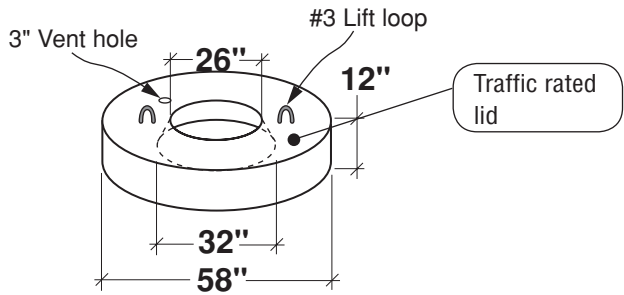
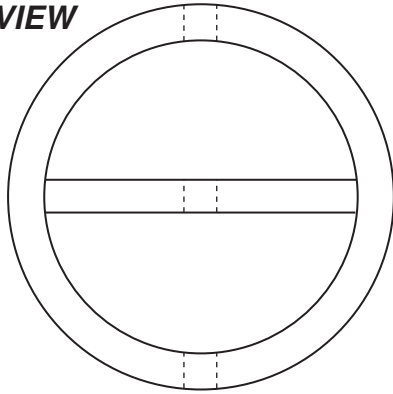
FLXX®

FLXX®

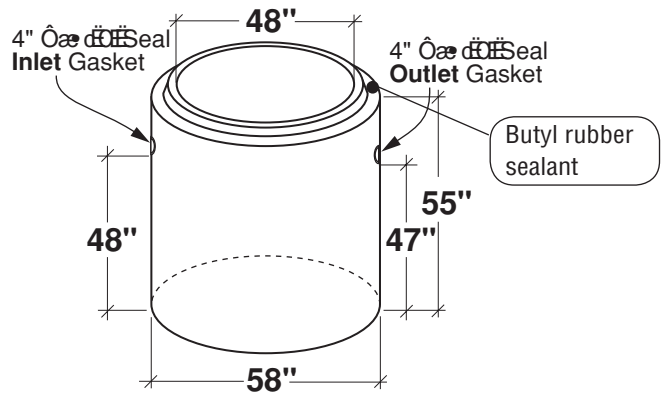
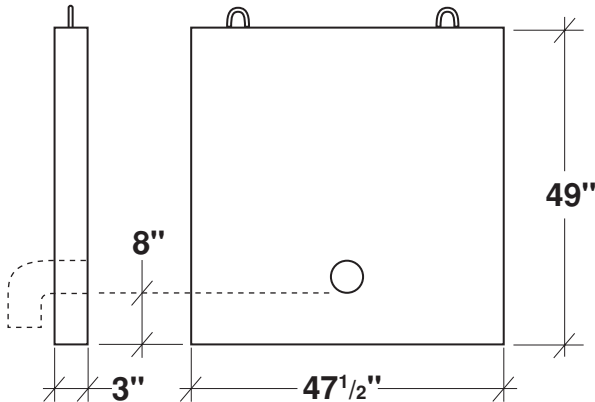
- PCA-000-331
- Secondary chamber volume equal to 1/2 total capacity.
- **Verify compliance with local regulations.**
- Tanks meet or exceed ASTM-C-478 specifications for water and wastewater structures.
- Butyl rubber sealant meets or exceeds Fed. Spec. SS-S-210A. (Provided with tank)
- ASSHTO H-20 traffic rated.
- Plumbing provided by others.



TOP VIEW



BAFFLE



Note: N.T.S.

FLXX® 
 Watertight

Front Range Precast Concrete, Inc.

1 Jefferson Avenue, Golden, Colorado 80401 • 18700 E. O'Fallon Avenue
 Phone (303) 442-3207 • (800) 783-3207 • Fax (303) 442-3209A

www.flxx.com

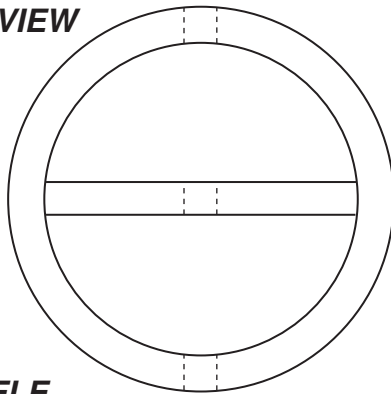
500 Gal. Grease Interceptor

FLXX®

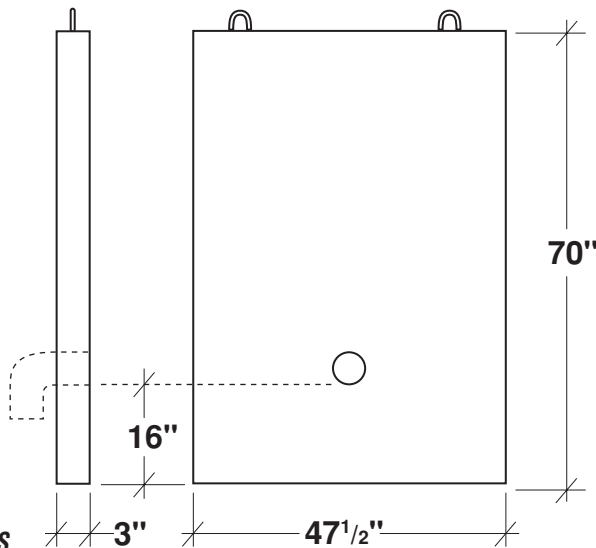
FLXX®

- PCA-000-332
- Secondary chamber volume equal to 1/2 total capacity.
- **Verify compliance with local regulations.**
- Tanks meet or exceed ASTM-C-478 specifications for water and wastewater structures.
- Butyl rubber sealant meets or exceeds Fed. Spec. SS-S-210A. (Provided with tank)
- ASSHTO H-20 traffic rated.
- Plumbing provided by others.

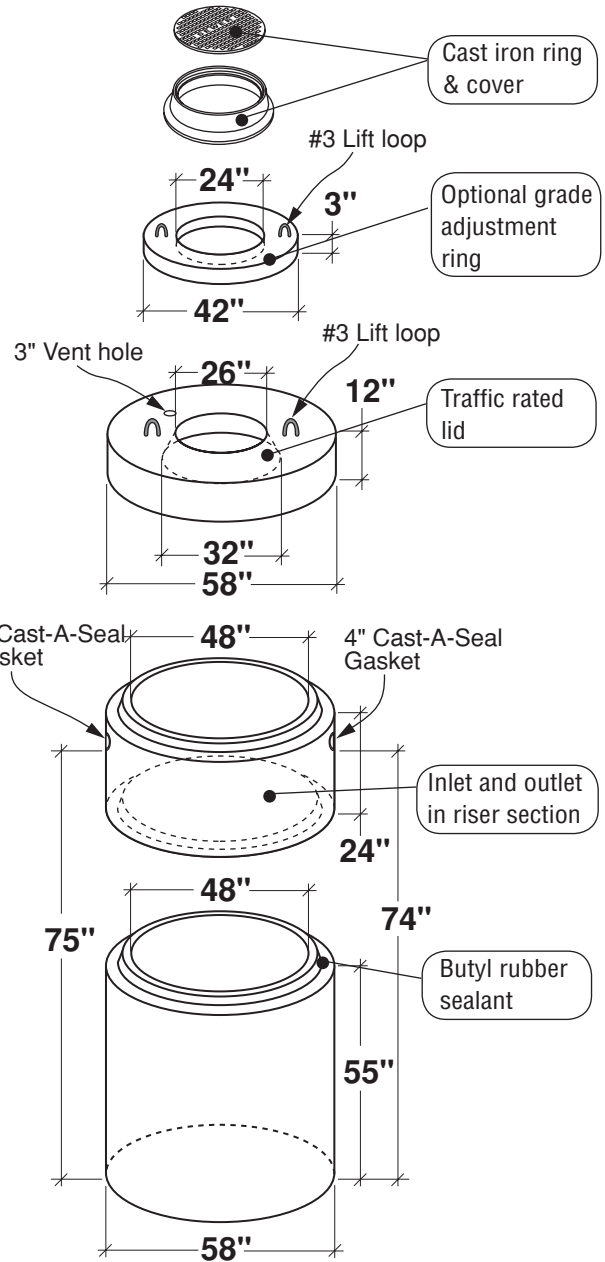
TOP VIEW



BAFFLE



Note: N.T.S.



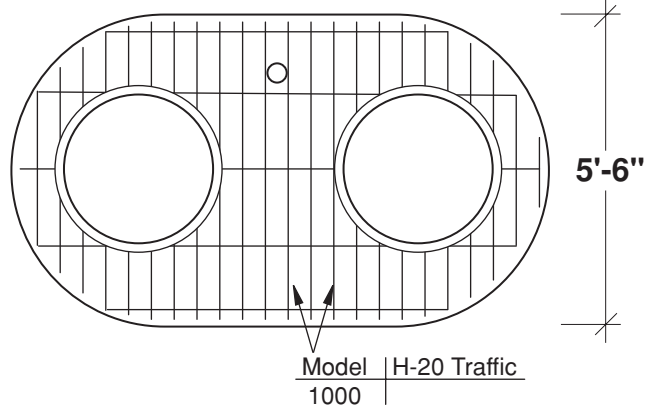
FLXX® 
Watertight
Front Range Precast Concrete, Inc.
 5901 Dexter Street, Unit 200, Commerce City, CO 80022
 Phone (303) 442-3207 • (800) 783-3207 • Fax (303) 442-3209
www.flxx.com

1000 Gal. Grease Interceptor

FLXX®

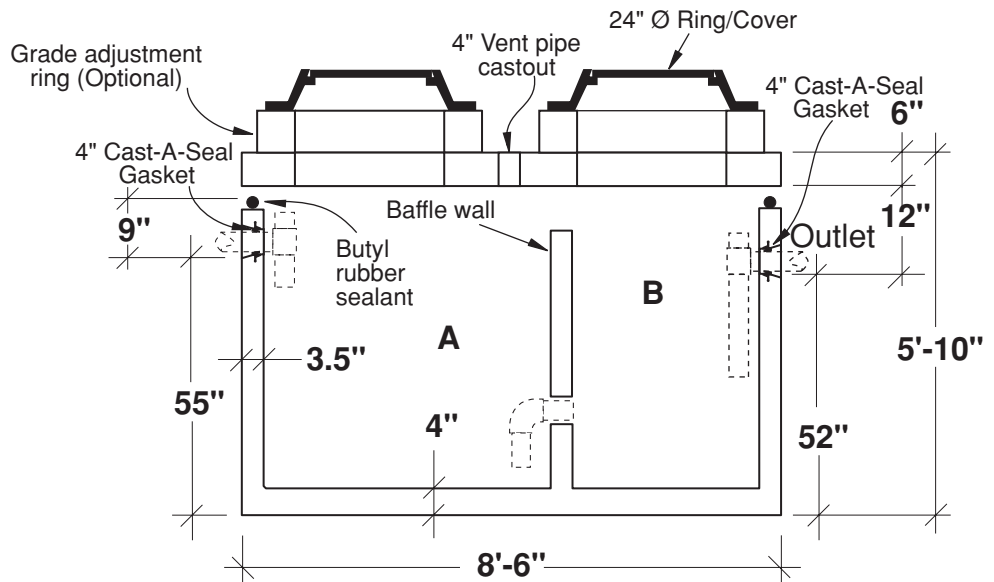
FLXX®

TOP SLAB - TYPICAL REINFORCEMENT



- Secondary chamber volume equal to 1/3 total capacity.
- Tanks meet or exceed ASTM-C-913 specifications for water and wastewater structures.
- Butyl rubber sealant meets or exceeds Fed. Spec. SS-S-210A. (Provided with tank)
- ASSHTO H-20 traffic rated.
- Plumbing shown in diagram provided by others.

SECTION



Part #	Capacities				Approximate Weights			
	Section/Gal.		Cubic Ft.		Tank	Lid	Baffle Wall	Total
PCA-000-270	A	B	A	B	6,995 lbs	2,550 lbs	910 lbs	10,455 lbs
	640	430	84	56				

Note: N.T.S.

FLXX® 
Watertight
Front Range Precast Concrete, Inc.
 5901 Dexter Street, Unit 200, Commerce City, CO 80022
 Phone (303) 442-3207 • (800) 783-3207 • Fax (303) 442-3209
www.flxx.com

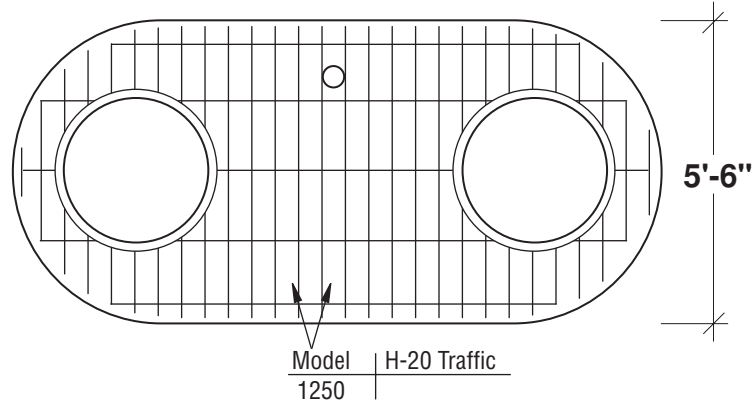
1250 Gal. Grease Interceptor

FLXX®

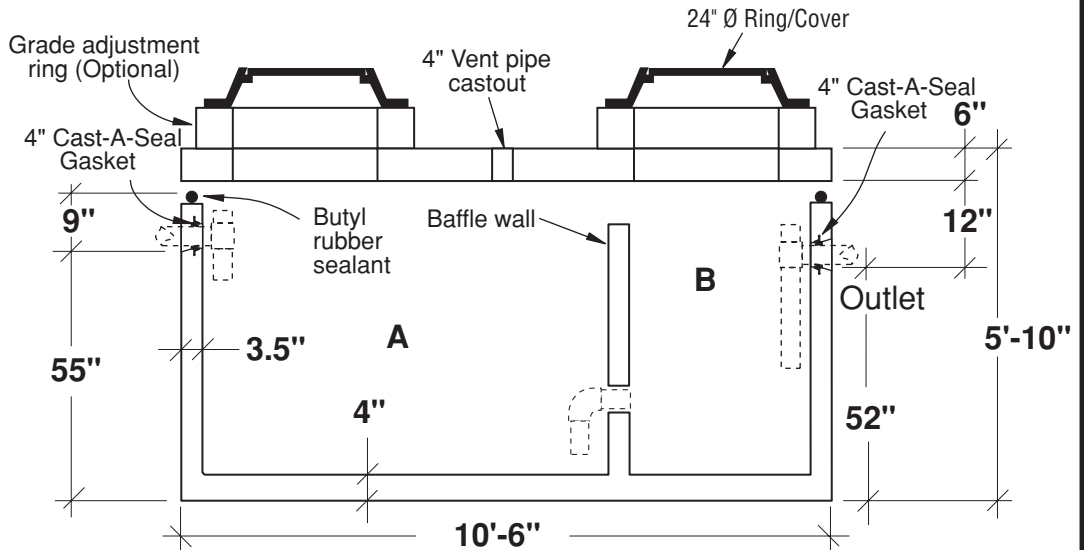
FLXX®

- Secondary chamber volume equal to 1/3 total capacity.
- Tanks meet or exceed ASTM-C-913 specifications for water and wastewater structures.
- Butyl rubber sealant meets or exceeds Fed. Spec. SS-S-210A. (Provided with tank)
- ASSHTO H-20 traffic rated.
- Plumbing shown in diagram provided by others.

TOP SLAB - TYPICAL REINFORCEMENT



SECTION



Part #	Capacities				Approximate Weights			
	Section/Gal.		Cubic Ft.		Tank	Lid	Baffle Wall	Total
PCA-000-271	A	B	A	B	8,430 lbs	3,370 lbs	910 lbs	12,710 lbs
	835	555	110	72				

Note: N.T.S.

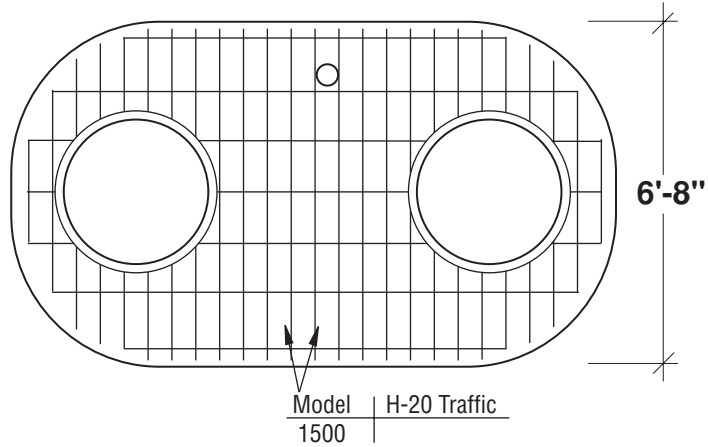
FLXX® 
Watertight
Front Range Precast Concrete, Inc.
 5901 Dexter Street, Unit 200, Commerce City, CO 80022
 Phone (303) 442-3207 • (800) 783-3207 • Fax (303) 442-3209
www.flxx.com

1500 Gal. Grease Interceptor

FLXX®

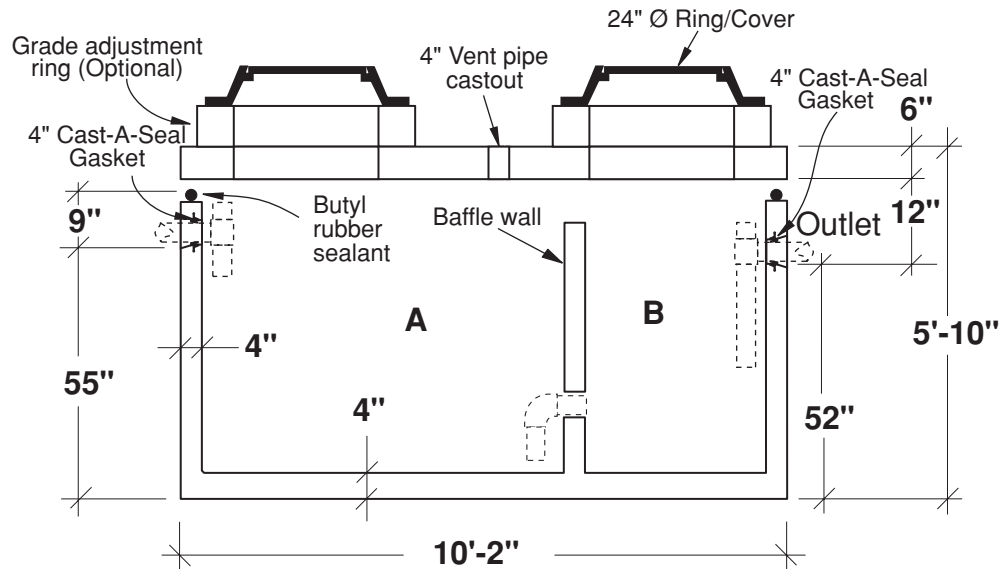
FLXX®

TOP SLAB - TYPICAL REINFORCEMENT



- Secondary chamber volume equal to 1/3 total capacity.
- Tanks meet or exceed ASTM-C-913 specifications for water and wastewater structures.
- Butyl rubber sealant meets or exceeds Fed. Spec. SS-S-210A. (Provided with tank)
- ASSHTO H-20 traffic rated.
- Plumbing shown in diagram provided by others.

SECTION



Part #	Capacities				Approximate Weights			
	Section/Gal.		Cubic Ft.		Tank	Lid	Baffle Wall	Total
PCA-000-272	A	B	A	B	9,615 lbs	3,900 lbs	1,110 lbs	14,625 lbs
	920	615	120	80				

Note: N.T.S.

FLXX® 
Watertight
Front Range Precast Concrete, Inc.
 5901 Dexter Street, Unit 200, Commerce City, CO 80022
 Phone (303) 442-3207 • (800) 783-3207 • Fax (303) 442-3209
www.flxx.com

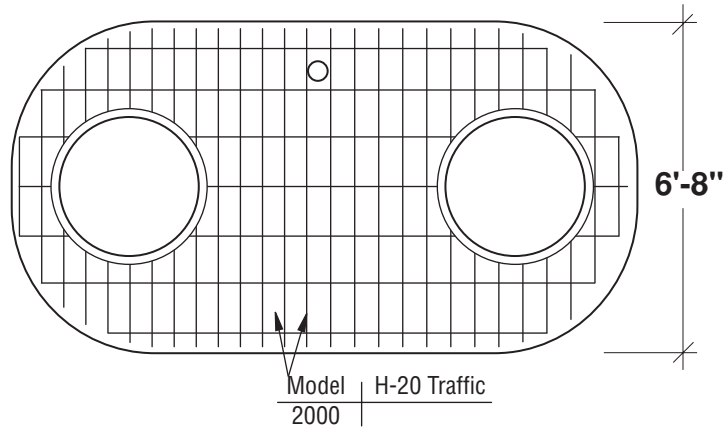
2000 Gal. Grease Interceptor

FLXX®

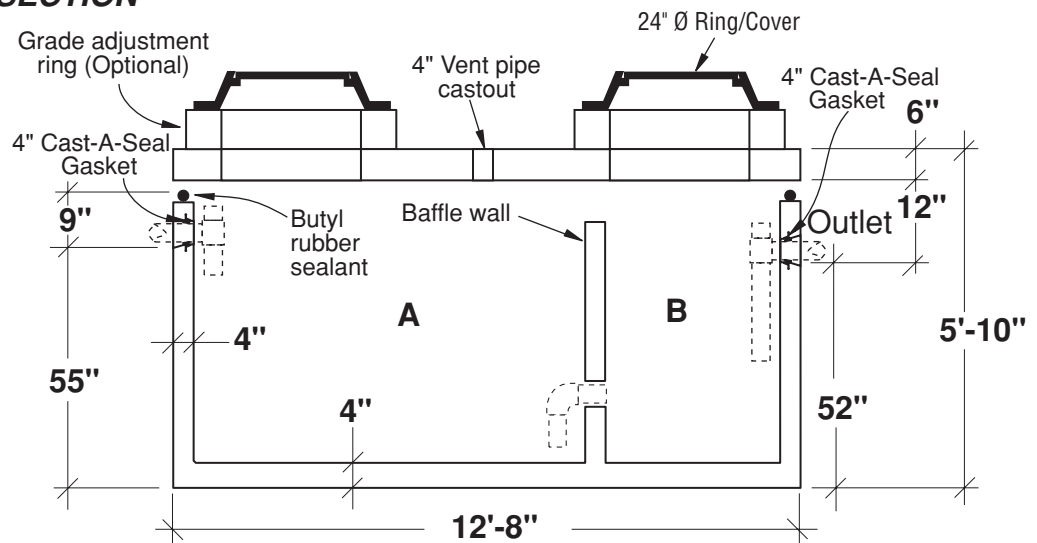
FLXX®

- Secondary chamber volume equal to 1/3 total capacity.
- Tanks meet or exceed ASTM-C-913 specifications for water and wastewater structures.
- Butyl rubber sealant meets or exceeds Fed. Spec. SS-S-210A. (Provided with tank)
- ASSHTO H-20 traffic rated.
- Plumbing shown in diagram provided by others.

TOP SLAB - TYPICAL REINFORCEMENT



SECTION



Part #	Capacities				Approximate Weights			
	Section/Gal.		Cubic Ft.		Tank	Lid	Baffle Wall	Total
PCA-000-273	A	B	A	B	11,690 lbs	5,145 lbs	1,110 lbs	17,945 lbs
	1200	800	156	104				

Note: N.T.S.

FLXX® 
Watertight
Front Range Precast Concrete, Inc.
 5901 Dexter Street, Unit 200, Commerce City, CO 80022
 Phone (303) 442-3207 • (800) 783-3207 • Fax (303) 442-3209
www.flxx.com

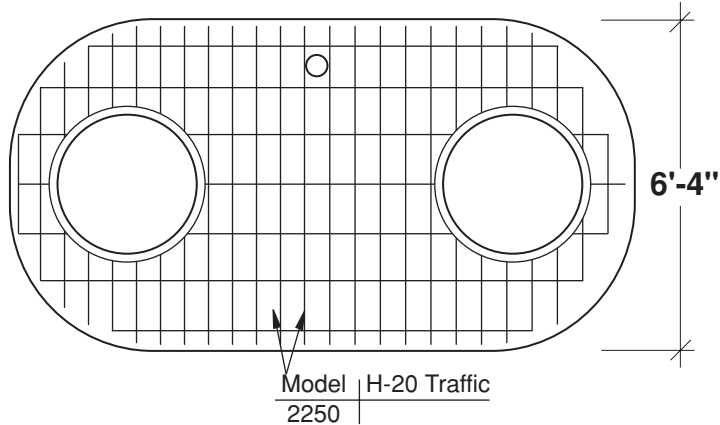
2500 Gal. Grease Interceptor

FLXX®

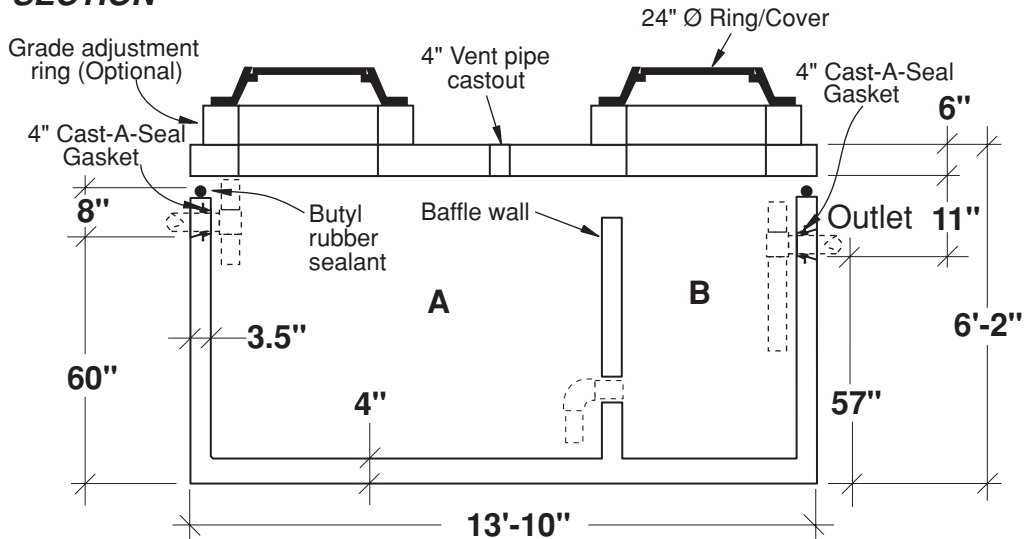
FLXX®

- Secondary chamber volume equal to 1/3 total capacity.
- Tanks meet or exceed ASTM-C-913 specifications for water and wastewater structures.
- Butyl rubber sealant meets or exceeds Fed. Spec. SS-S-210A. (Provided with tank)
- ASSHTO H-20 traffic rated.
- Plumbing shown in diagram provided by others.

TOP SLAB - TYPICAL REINFORCEMENT



SECTION



Part #	Capacities				Approximate Weights			
	Section/Gal.		Cubic Ft.		Tank	Lid	Baffle Wall	Total
PCA-000-313	A	B	A	B	11,890 lbs	5,400 lbs	1,560 lbs	18,850 lbs

Note: N.T.S.

FLXX® 
Watertight
Front Range Precast Concrete, Inc.
 5901 Dexter Street, Unit 200, Commerce City, CO 80022
 Phone (303) 442-3207 • (800) 783-3207 • Fax (303) 442-3209
www.flxx.com

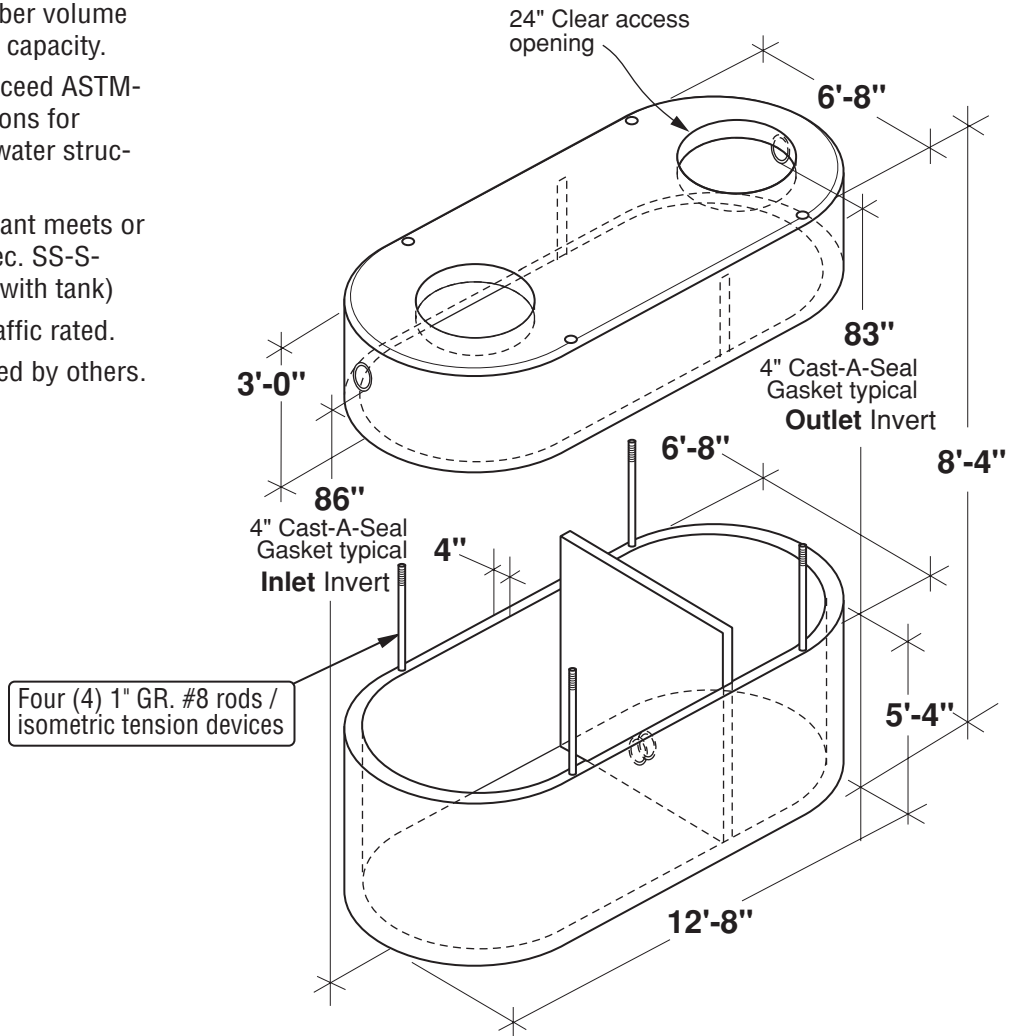
3250 Gal. Grease Interceptor

FLXX®

FLXX®

Total Capacity: 3365 gallons

- Secondary chamber volume equal to 1/3 total capacity.
- Tanks meet or exceed ASTM-C-913 specifications for water and wastewater structures.
- Butyl rubber sealant meets or exceeds Fed. Spec. SS-S-210A. (Provided with tank)
- ASSHTO H-20 traffic rated.
- Plumbing provided by others.



Part #	Capacities				Approximate Weights			
	Section/Gal.		Cubic Ft.		Tank	Lid	Baffle Wall	Total
PCA-000-319	A	B	A	B	11,690 lbs	7,715 lbs	1,110 lbs	20,515 lbs
	1940	1300	253	170				

Note: N.T.S.

FLXX® 
Watertight
Front Range Precast Concrete, Inc.
 5901 Dexter Street, Unit 200, Commerce City, CO 80022
 Phone (303) 442-3207 • (800) 783-3207 • Fax (303) 442-3209
www.flxx.com