

Water Cistern

Domestic Potable Water

FLXX®

FLXX®

Standard:

Cistern assemblies include tank, lid, a 2' riser & cistern filler lid, (2) 1" stainless steel female thread inserts in tank 14" apart, 2'-8" from bottom outside of tank and butyl rubber sealant.

Installation Instructions:

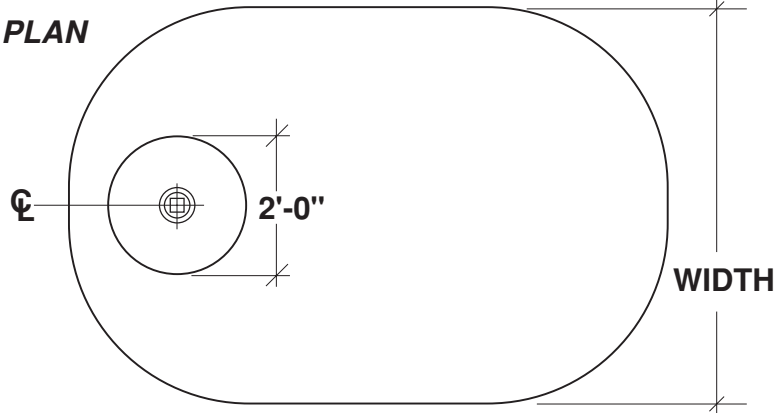
Excavations should be 12" larger than dimensions. Floor of the excavation should be level with no protruding rocks, and a minimum of 6" of sand or 3/4" rock bed, leveled and compacted to set tank on. Excavator should provide a safe and clear offloading site within 15' from the rear of the truck to the center of the tank. Selected (6" minus) granular backfill should be rolled in from the side in equal lifts around the tank and compacted. Avoid dumping directly on the lid of the tank.

Note:

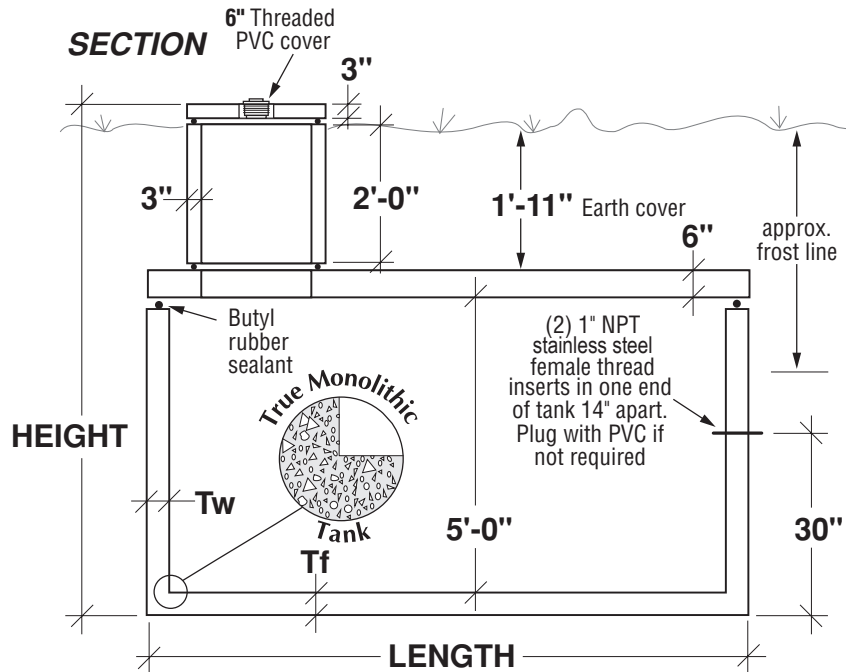
Installer should check local requirements which provide information on adapter hook up, tank placement, line locations and connections etc. A permit may be necessary for this work.

Do **NOT** drive on the tank.

PLAN



SECTION



	WIDTH	LENGTH	HEIGHT	TW	TF	WEIGHT	PART #
1200 Gallon	5'-6"	8'-6"	8'-1"	3.5"	4"	10,485 lbs	PCA-000-259
1500 Gallon	5'-6"	10'-6"	8'-1"	3.5"	4"	12,745 lbs	PCA-000-309
1800 Gallon	6'-8"	10'-2"	8'-1"	4"	4"	14,455 lbs	PCA-000-260
2400 Gallon	6'-8"	12'-8"	8'-1"	4"	4"	17,775 lbs	PCA-000-261
2800 Gallon	6'-4"	13'-10"	8'-5"	3.5"	4"	18,230 lbs	PCA-000-351

Note: N.T.S.

Revised July 2016



Watertight

Front Range Precast Concrete, Inc.

5901 Dexter Street, Unit 200, Commerce City, CO 80022
 Phone (303) 442-3207 • (800) 783-3207 • Fax (303) 442-3209

www.flxx.com

3600 Gal. Domestic Potable Water Cistern

FLXX®

FLXX®

Total Capacity: 3680 gallons

Standard:

Cistern assemblies include tank, lid, a 2' riser & cistern filler lid, (2) 1" stainless steel female thread inserts in tank 14" apart, 2'-8" from bottom outside of tank and butyl rubber sealant.

Installation Instructions:

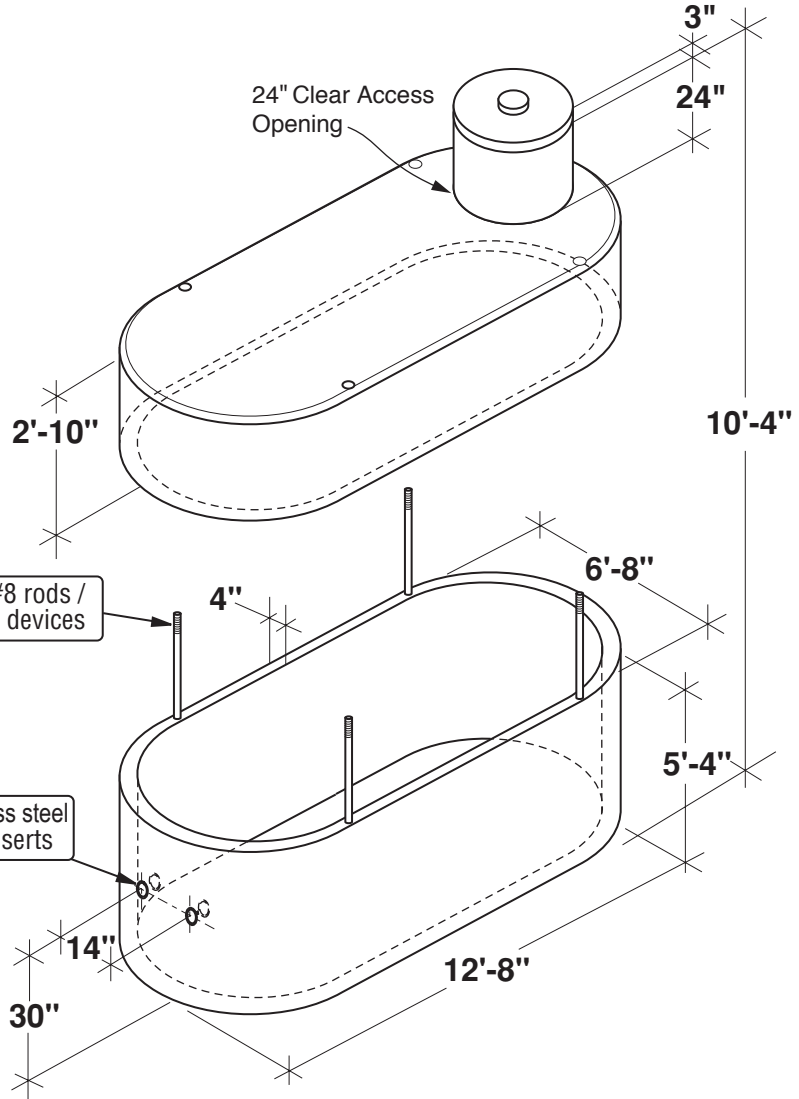
Excavations should be 12" larger than dimensions. Floor of the excavation should be level with no protruding rocks, and a minimum of 6" of sand or 3/4" rock bed, leveled and compacted to set tank on. Excavator should provide a safe and clear offloading site within 15' from the rear of the truck to the center of the tank. Selected (6" minus) granular backfill should be rolled in from the side in equal lifts around the tank and compacted. Avoid dumping directly on the lid of the tank.

Note:

Installer should check local requirements which provide information on adapter hook up, tank placement, line locations and connections etc. A permit may be necessary for this work. Do **NOT** drive on the tank.

Four (4) 1" GR. #8 rods / isometric tension devices

Two (2) 1" stainless steel female thread inserts



* Includes 530 lbs. for a 2x2 riser, & 175 lbs. for a 2X Cistern Lid

Part #	Capacity (gallons)	Approximate Weights		
		Tank	Dometite Lid*	Total
PCA-000-317	3680	11,690 lbs	8,655 lbs	20,345 lbs

Note: N.T.S.

Revised July 2016



Front Range Precast Concrete, Inc.

5901 Dexter Street, Unit 200, Commerce City, CO 80022
 Phone (303) 442-3207 • (800) 783-3207 • Fax (303) 442-3209
www.flxx.com

Fire Protection Water Storage Cistern

Single Family - Precast Concrete

FLXX®

FLXX®

Standard:

Cistern assemblies include tank, lid, a 2' riser & cistern filler lid, (2) 1" stainless steel female thread inserts in tank 14" apart, 2'-8" from bottom outside of tank and butyl rubber sealant.

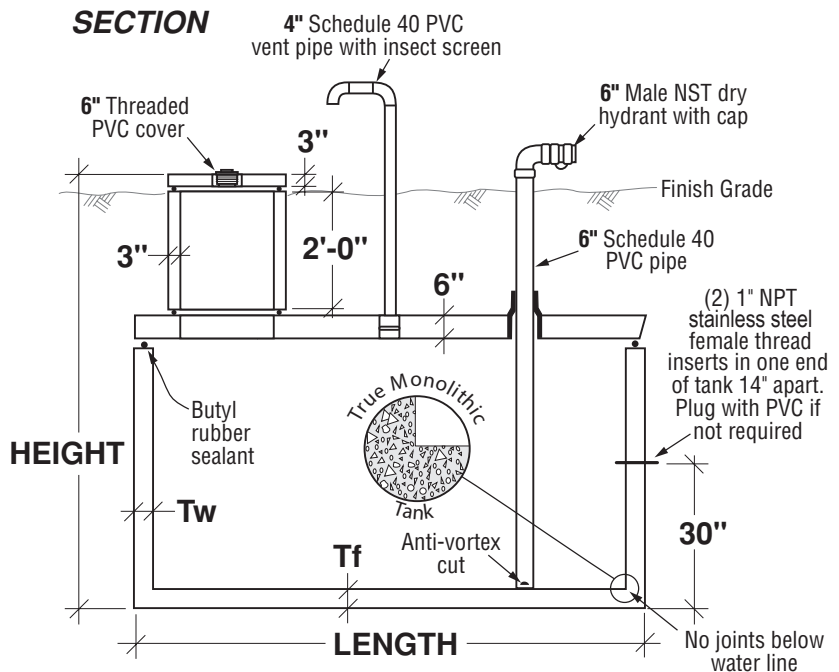
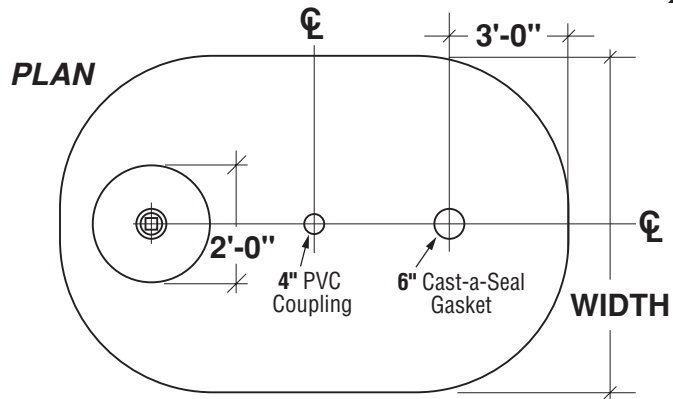
Installation Instructions:

Excavations should be 12" larger than dimensions. Floor of the excavation should be level with no protruding rocks, and a minimum of 6" of sand or 3/4" rock bed, leveled and compacted to set tank on. Excavator should provide a safe and clear offloading site within 15' from the rear of the truck to the center of the tank. Selected (6" minus) granular backfill should be rolled in from the side in equal lifts around the tank and compacted. Avoid dumping directly on the lid of the tank.

Note:

Installer should check local requirements which provide information on adapter hook up, tank placement, line locations and connections etc. A permit may be necessary for this work.

Do **NOT** drive on the tank.



	WIDTH	LENGTH	HEIGHT	TW	TF	WEIGHT	PART #
1200 Gallon	5'-6"	8'-6"	8'-1"	3.5"	4"	10,470 lbs	PCA-000-311
1500 Gallon	5'-6"	10'-6"	8'-1"	3.5"	4"	12,730 lbs	PCA-000-310
1800 Gallon	6'-8"	10'-2"	8'-1"	4"	4"	14,440 lbs	PCA-000-278
2400 Gallon	6'-8"	12'-8"	8'-1"	4"	4"	17,760 lbs	PCA-000-279
2800 Gallon	6'-4"	13'-10"	8'-5"	3.5"	4"	18,215 lbs	PCA-000-352

Note: N.T.S.

Revised July 2016

FLXX® 
Watertight
Front Range Precast Concrete, Inc.
 5901 Dexter Street, Unit 200, Commerce City, CO 80022
 Phone (303) 442-3207 • (800) 783-3207 • Fax (303) 442-3209
www.flxx.com

3600 Gal. Fire Protection Water Storage Cistern

FLXX®

FLXX®

Total Capacity: 3680 gallons

Standard:

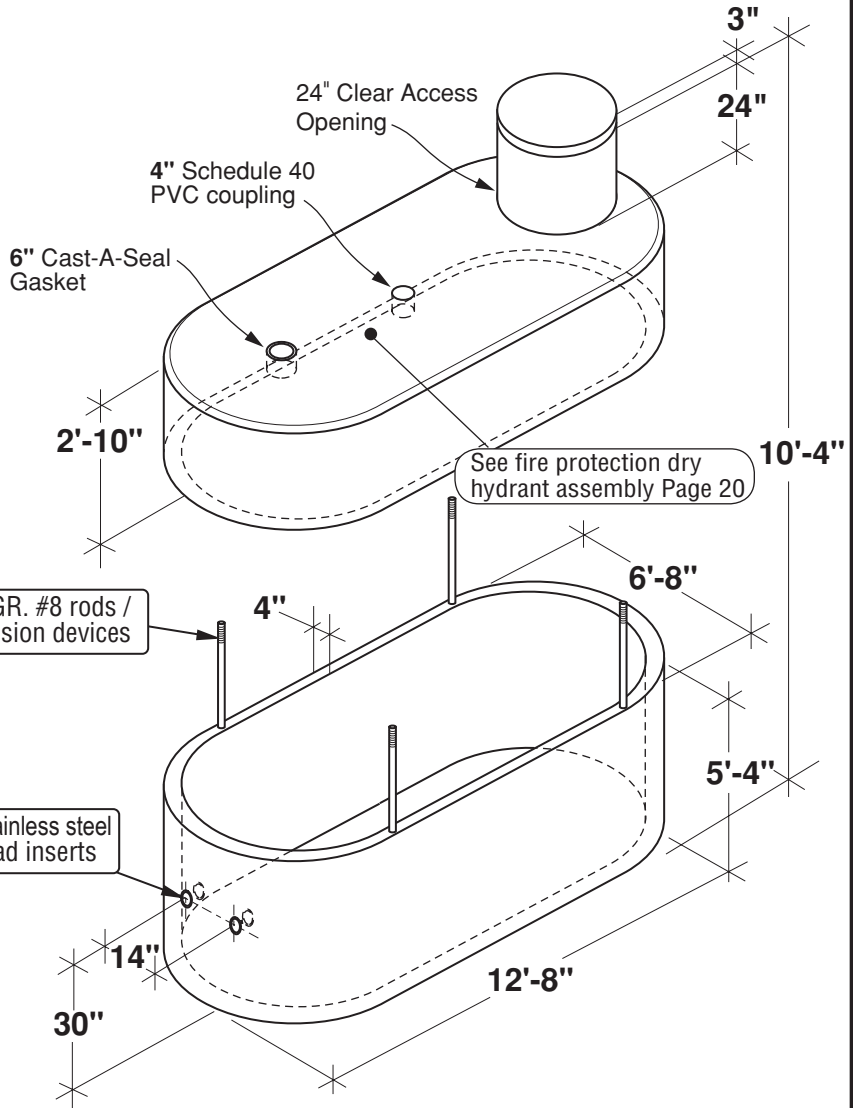
Cistern assemblies include tank, lid, a 2' riser & cistern filler lid, (2) 1" stainless steel female thread inserts in tank 14" apart, 2'-8" from bottom outside of tank and butyl rubber sealant.

Installation Instructions:

Excavations should be 12" larger than dimensions. Floor of the excavation should be level with no protruding rocks, and a minimum of 6" of sand or 3/4" rock bed, leveled and compacted to set tank on. Excavator should provide a safe and clear offloading site within 15' from the rear of the truck to the center of the tank. Selected (6" minus) granular backfill should be rolled in from the side in equal lifts around the tank and compacted. Avoid dumping directly on the lid of the tank.

Note:

Installer should check local requirements which provide information on adapter hook up, tank placement, line locations and connections etc. A permit may be necessary for this work. **Do NOT drive on the tank.**



* Includes 530 lbs. for a 2x2 riser, & 175 lbs. for a 2X Cistern Lid

Part #	Capacity (gallons)	Approximate Weights		
		Tank	Dometite Lid*	Total
PCA-000-318	3680	11,690 lbs	8,640 lbs	20,330 lbs

Note: N.T.S.

Revised July 2016

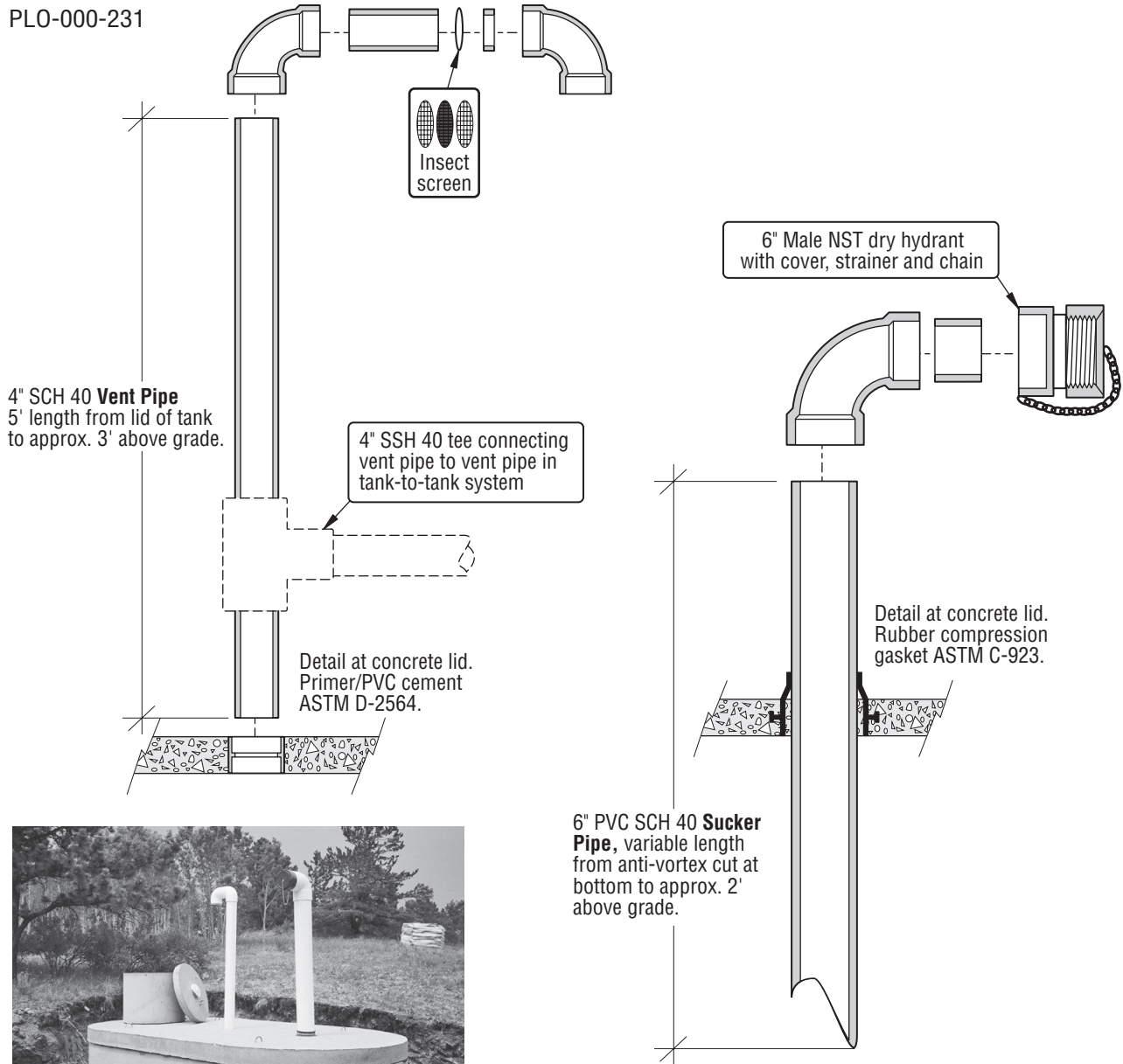
FLXX® 
Watertight
Front Range Precast Concrete, Inc.
 5901 Dexter Street, Unit 200, Commerce City, CO 80022
 Phone (303) 442-3207 • (800) 783-3207 • Fax (303) 442-3209
www.flxx.com

Dry Hydrant Assembly for Fire Protection Cistern

FLXX®

FLXX®

• PLO-000-231



Dry hydrant storage tank before back-fill.

Revised July 2016

Note: N.T.S.

FLXX® 
Watertight
Front Range Precast Concrete, Inc.
 5901 Dexter Street, Unit 200, Commerce City, CO 80022
 Phone (303) 442-3207 • (800) 783-3207 • Fax (303) 442-3209
www.flxx.com

Three Mated 2400 Gal. Cisterns

Domestic Potable Water

FLXX®

FLXX®

Installation Instructions:

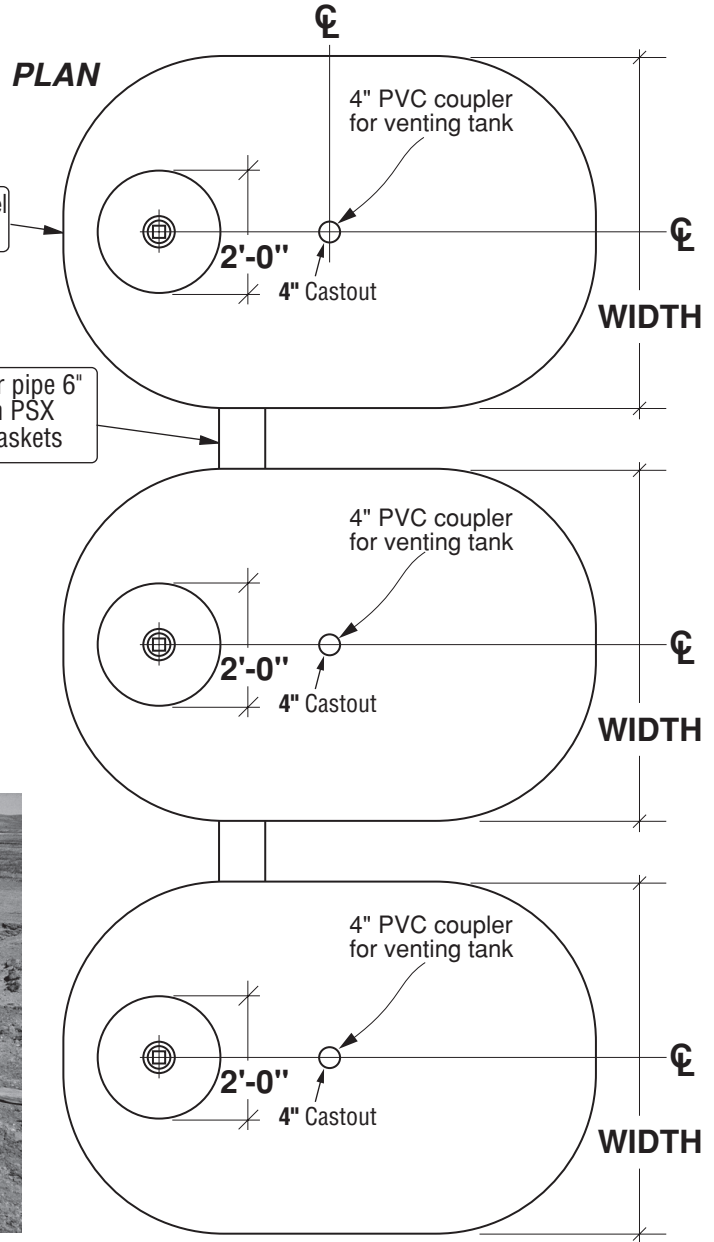
Excavation should be 8' deep x 15' wide x 25' long. Floor of the excavation should be level with no protruding rocks, and a minimum of 4" of 3/4" rock bed, leveled and compacted to set tanks on. Excavator should provide a safe and clear offloading site within 15' from the rear of the truck to the center of the tank. Selected (6" minus) granular backfill should be rolled in from the side in equal lifts around the tank and compacted. Avoid dumping directly on the lids of the tanks.

Note:

Other mated cistern configurations are available. Contact FRPC sales for details.



Four mated 3600 gal. cisterns (14,400g total) for agricultural use.



Note: N.T.S.

Revised July 2016

FLXX® 
Watertight
Front Range Precast Concrete, Inc.
 5901 Dexter Street, Unit 200, Commerce City, CO 80022
 Phone (303) 442-3207 • (800) 783-3207 • Fax (303) 442-3209
www.flxx.com