

1250 Gal. Three Compartment Electric Lift Septic Tank

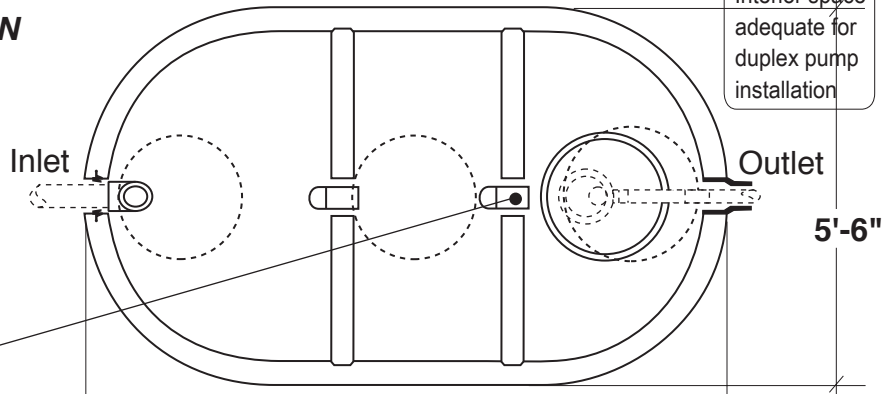
FLXX®

FLXX®

Total Capacity: 1390 gallons

- Monolithic tank meets ASTM-C-1227 Spec. for water and wastewater structures.
- Butyl rubber sealant meets Fed. Spec. SS-S-210A. (Provided with tank)
- All plumbing shown in diagram is 4" SDR 35. (Provided with tank)

PLAN



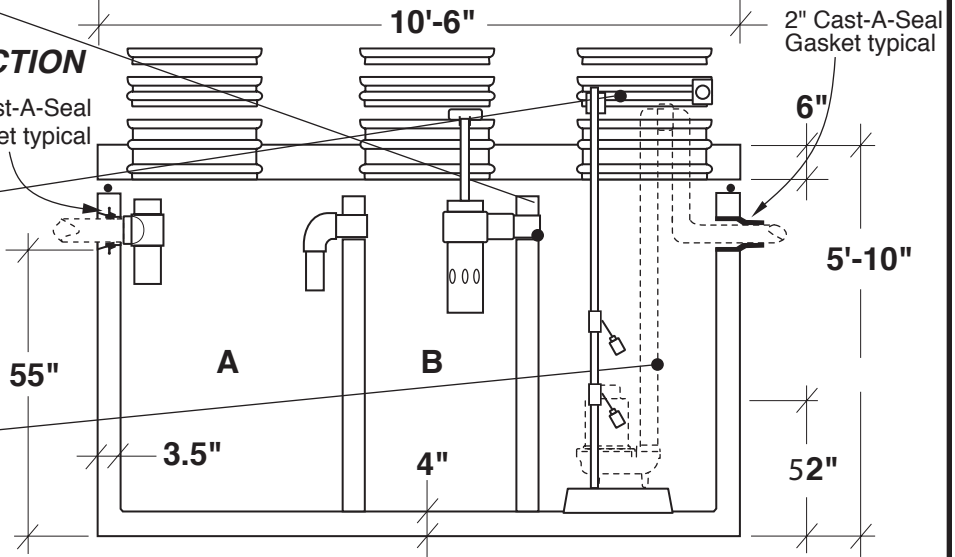
Sealed baffle wall. Install effluent filter at this location.

SECTION

4" Cast-A-Seal Gasket typical

2' x 1' Modified riser w/ J-box float tree bracket

Effluent pump (sized per specification) / remote alarm box, float tree, control and alarm switches installed and pump plumbed to stub-out including preassembled pipes and fittings. Connections to electrical source by others.



Part #	Capacities (gallons)		Lift Station Chamber (gallons)	Discharge Per Cycle	Approximate Weights			
	A	B			Tank	Lid	Baffle Walls	Total
PCA-000-267	640	420	330	Variable 6.6 Gal. / Vertical Inch	8,430 lbs	3,370 lbs	1,820 lbs	13,620 lbs

Note: N.T.S.

FLXX® 
Watertight

Front Range Precast Concrete, Inc.

5901 Dexter Street, Unit 200, Commerce City, CO 80022
Phone (303) 442-3207 • (800) 783-3207 • Fax (303) 442-3209
www.flxx.com

1500 Gal. Three Compartment Electric Lift Septic Tank

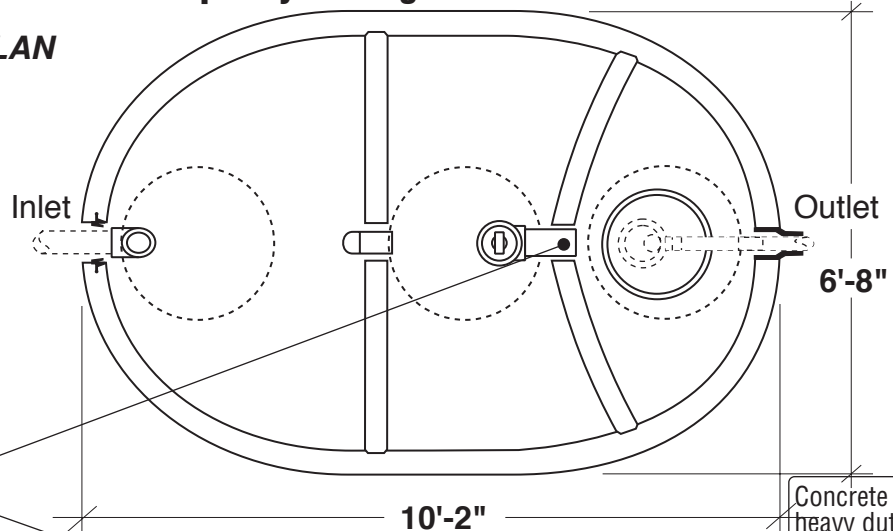
2.0
FLXX®

FLXX®

Total Capacity: 1535 gallons

- Monolithic tank meets ASTM-C-1227 Spec. for water and wastewater structures.
- Butyl rubber sealant meets Fed. Spec. SS-S-210A. (Provided with tank)
- All plumbing shown in diagram is 4" SDR 35. (Provided with tank)

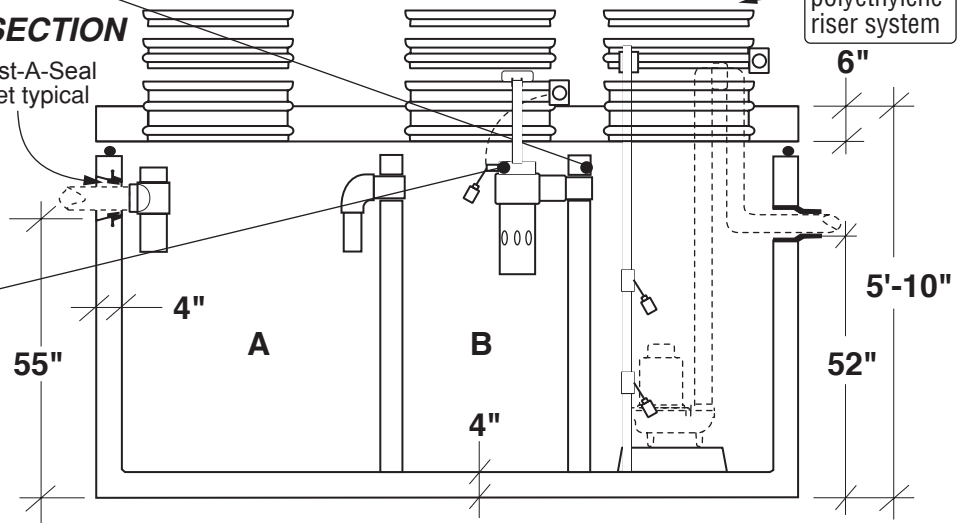
PLAN



Sealed baffle wall. Install effluent filter at this location.

SECTION

4" Cast-A-Seal Gasket typical



Filter monitor: Optional liquid level alarm box, float control switch with bracket and J-box. Connections to electrical source by others.

Part #	Capacities (gallons)		Lift Station Chamber (gallons)	Discharge Per Cycle	Approximate Weights			
	A	B			Tank	Lid	Baffle Walls	Total
PCA-100-268	785	500	250	Variable 5.4 Gal. / Vertical Inch	9,615 lbs	3,900 lbs	2,220 lbs	15,735 lbs

Note: N.T.S.



Watertight

Front Range Precast Concrete, Inc.

5901 Dexter Street, Unit 200, Commerce City, CO 80022
 Phone (303) 442-3207 • (800) 783-3207 • Fax (303) 442-3209
www.flxx.com

2000 Gal. Three Compartment Electric Lift Septic Tank

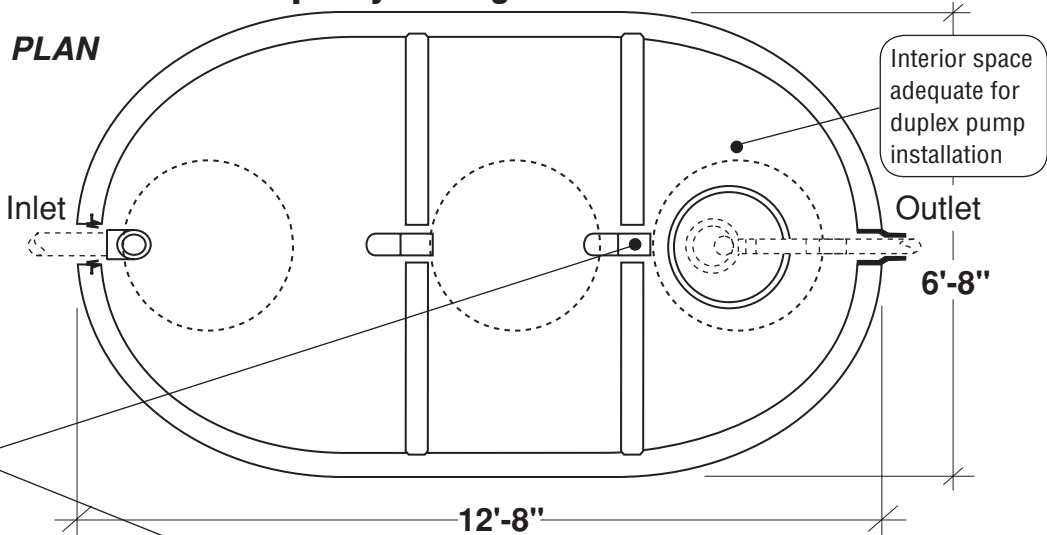
FLXX®

FLXX®

Total Capacity: 2000 gallons

- Monolithic tank meets ASTM-C-1227 Spec. for water and wastewater structures.
- Butyl rubber sealant meets Fed. Spec. SS-S-210A. (Provided with tank)
- See pages 35 - 41 for pumps and controls.

PLAN



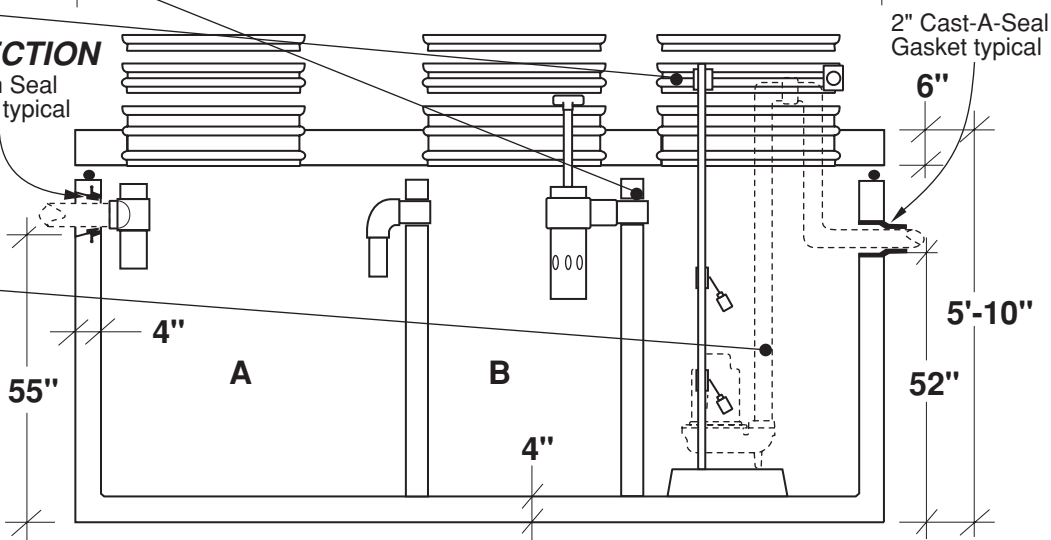
SECTION

4" Push Seal Gasket typical

2' x 1' Modified riser w/J-box float tree bracket

Effluent pump (sized per specification) / remote alarm box, float tree, control and alarm switches installed and pump plumbed to stub-out including preassembled pipes and fittings.

Connections to electrical source by others.



Part #	Capacities (gallons)		Lift Station Chamber (gallons)	Discharge Per Cycle	Approximate Weights			
	A	B			Tank	Lid	Baffle Walls	Total
PCA-000-269	1,000	500	500	Variable 10.5 Gal. / Vertical Inch	11,690 lbs	5,145 lbs	2,220 lbs	19,055 lbs

Note: N.T.S.

FLXX® 
Watertight

Front Range Precast Concrete, Inc.

5901 Dexter Street, Unit 200, Commerce City, CO 80022
Phone (303) 442-3207 • (800) 783-3207 • Fax (303) 442-3209

www.flxx.com

2500 Gal. Three Compartment Electric Lift Septic Tank

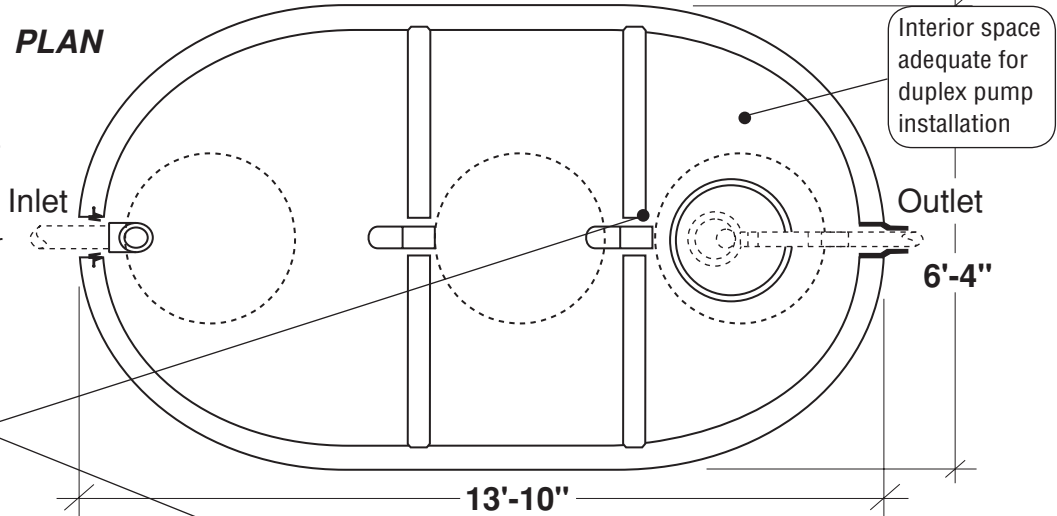
FLXX®

FLXX®

Total Capacity: 2450 gallons

- Monolithic tank meets ASTM-C-1227 Spec. for water and wastewater structures.
- Butyl rubber sealant meets Fed. Spec. SS-S-210A. (Provided with tank)
- See pages 35 - 41 for pumps and controls.

PLAN



Sealed baffle wall. Install effluent filter at this location.

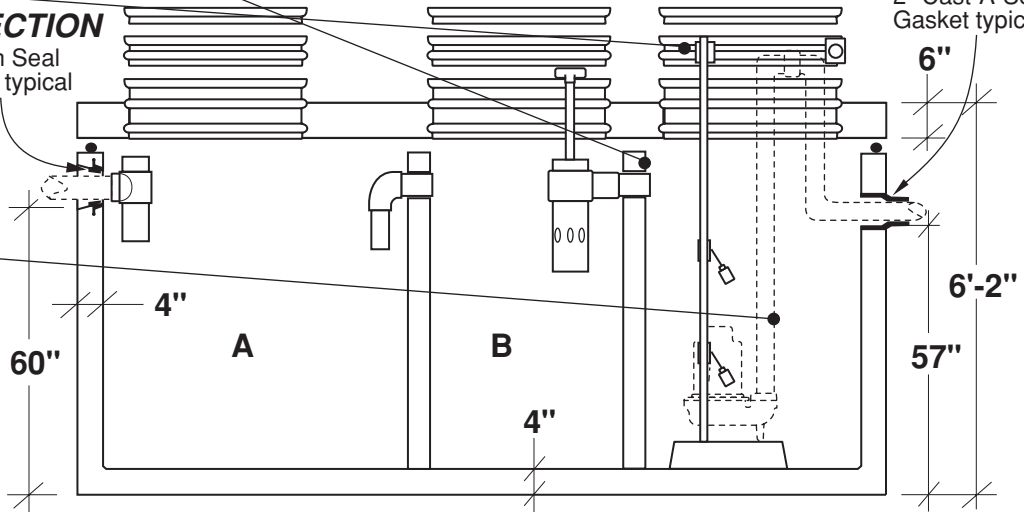
2' x 1' Modified riser w/ J-box float tree bracket

SECTION

4" Push Seal Gasket typical

2" Cast-A-Seal Gasket typical

Effluent pump (sized per specification) / remote alarm box, float tree, control and alarm switches installed and pump plumbed to stub-out including preassembled pipes and fittings. Connections to electrical source by others.



Part #	Capacities (gallons)		Lift Station Chamber (gallons)	Discharge Per Cycle	Approximate Weights			
	A	B			Tank	Lid	Baffle Walls	Total
PCA-000-355	1,145	780	525	Variable 11.2 Gal. / Vertical Inch	11,690 lbs	5,160 lbs	2,300 lbs	19,150 lbs

Note: N.T.S.

FLXX® 
Watertight

Front Range Precast Concrete, Inc.

5901 Dexter Street, Unit 200, Commerce City, CO 80022
Phone (303) 442-3207 • (800) 783-3207 • Fax (303) 442-3209
www.flxx.com

3250 Gal. Three Compartment Electric Lift Septic Tank

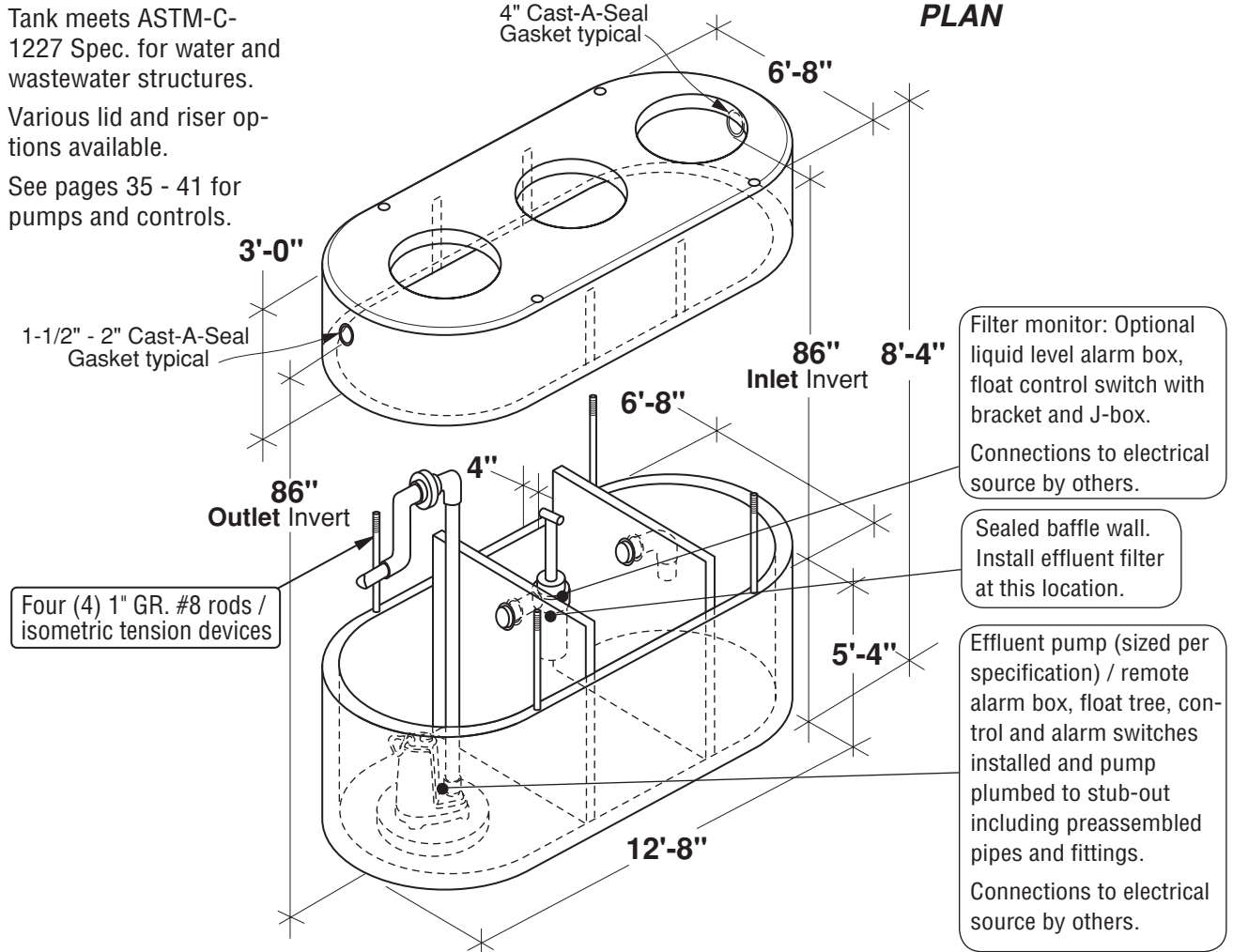
FLXX®

FLXX®

Total Capacity: 3365 gallons

- Tank meets ASTM-C-1227 Spec. for water and wastewater structures.
- Various lid and riser options available.
- See pages 35 - 41 for pumps and controls.

PLAN



Part #	Capacities (gallons)		Lift Station Chamber (gallons)	Discharge Per Cycle	Approximate Weights			
	A	B			Tank	Lid	Baffle Walls	Total
PCA-000-342	1,685	815	865	Variable 10.5 Gal. / Vertical Inch	11,690 lbs	7,715 lbs	3,180 lbs	22,585 lbs

Note: N.T.S.

FLXX® 
Watertight
Front Range Precast Concrete, Inc.
 5901 Dexter Street, Unit 200, Commerce City, CO 80022
 Phone (303) 442-3207 • (800) 783-3207 • Fax (303) 442-3209
www.flxx.com