

# 3600 Gal. Domestic Potable Water Cistern

FLXX®

FLXX®

**Total Capacity: 3680 gallons**

**Standard:**

Cistern assemblies include tank, lid, a 2' riser & cistern filler lid, (2) 1" stainless steel female thread inserts in tank 14" apart, 2'-8" from bottom outside of tank and butyl rubber sealant.

**Installation Instructions:**

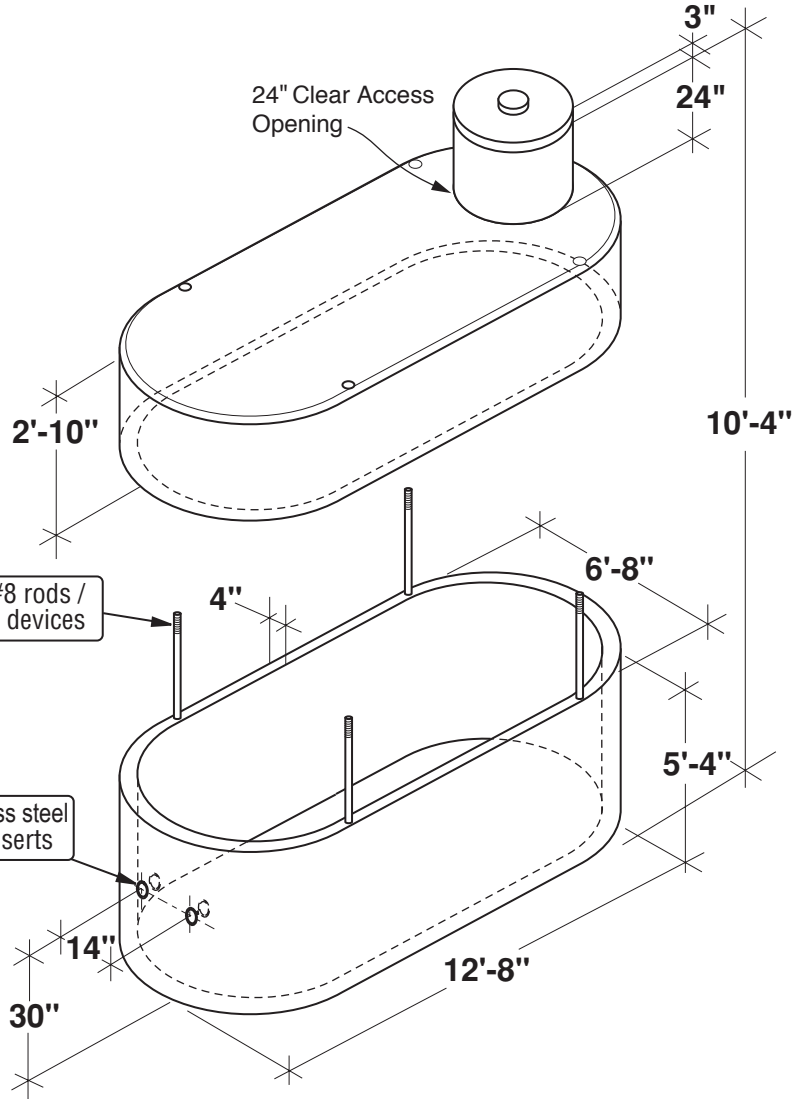
Excavations should be 12" larger than dimensions. Floor of the excavation should be level with no protruding rocks, and a minimum of 6" of sand or 3/4" rock bed, leveled and compacted to set tank on. Excavator should provide a safe and clear offloading site within 15' from the rear of the truck to the center of the tank. Selected (6" minus) granular backfill should be rolled in from the side in equal lifts around the tank and compacted. Avoid dumping directly on the lid of the tank.

**Note:**

Installer should check local requirements which provide information on adapter hook up, tank placement, line locations and connections etc. A permit may be necessary for this work. Do **NOT** drive on the tank.

Four (4) 1" GR. #8 rods / isometric tension devices

Two (2) 1" stainless steel female thread inserts



\* Includes 530 lbs. for a 2x2 riser, & 175 lbs. for a 2X Cistern Lid

Part #	Capacity (gallons)	Approximate Weights		
		Tank	Dometite Lid*	Total
PCA-000-317	3680	11,690 lbs	8,655 lbs	20,345 lbs

Note: N.T.S.

Revised July 2016

**FLXX®**   
**Watertight**  
**Front Range Precast Concrete, Inc.**  
 5901 Dexter Street, Unit 200, Commerce City, CO 80022  
 Phone (303) 442-3207 • (800) 783-3207 • Fax (303) 442-3209  
[www.flxx.com](http://www.flxx.com)